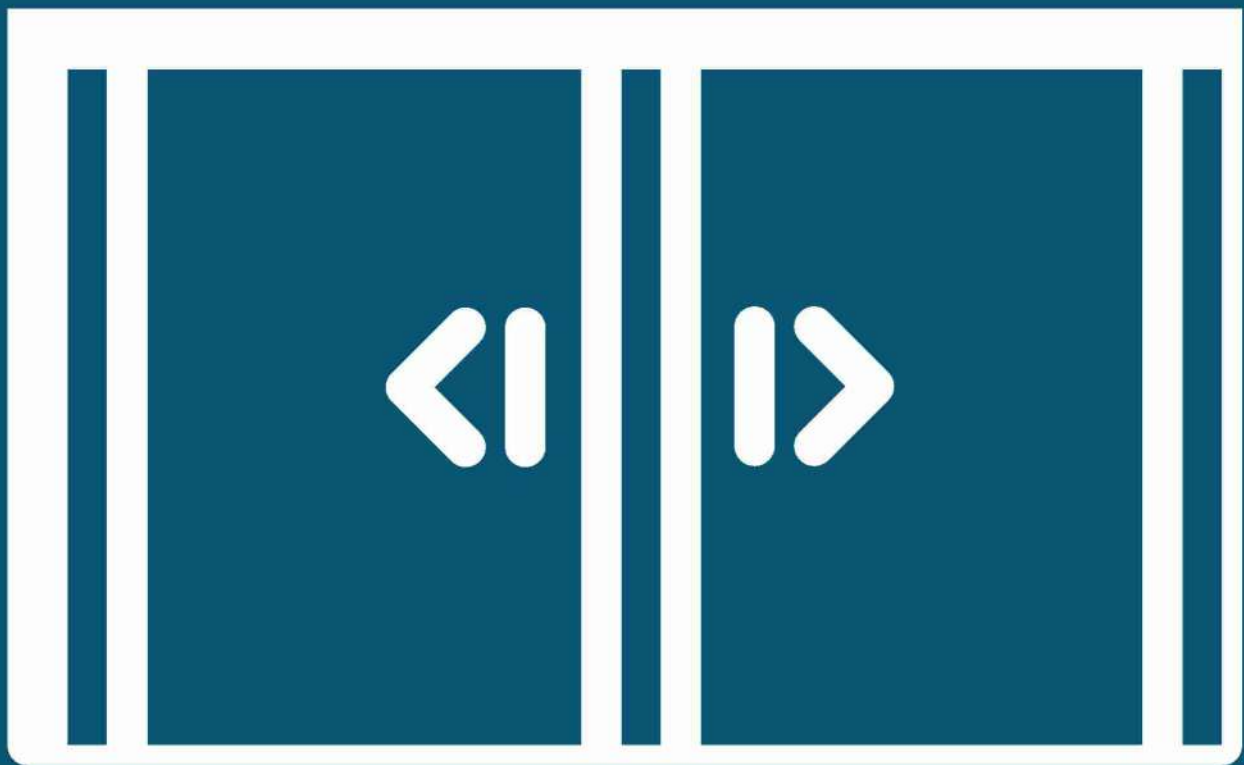


# SLIDING DOOR OPERATOR





## SLIDING DOOR OPERATOR AZSLD207

# AUTOZON®



SMOOTH RUNNING



SUPER SILENT



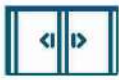
HIGH TECHNOLOGY



ASSEMBLED FAST

### PRODUCT DESCRIPTION:

- o AZSLD207 Door Operator enables converting existing manual sliding door & window to automatic.
- o It will be a retro-fit in the existing structure of the manual sliding door without changes
- o It is compatible for mounting single leaf door weighing 80 kgs.
- o AUTOZON retrofit system can be applied to doors of kitchen, balcony, office, shopfront, aisle, french window or other sliding windows
- o System can apply with sensor, remote control, push button, pet switch, photocell, card reader, lock and so on.



**RECOMMENDED ACCESSORIES:**



AZ MRS 68  
Microwave Sensor



AZ OMS 68 01  
Microwave Sensor



AZ SLDRIS68 02  
Microwave & Infrared Sensor



AZ SLD SBP 71  
Single Beam Photo Cell



AZ SLD TX 69  
Transmitter



AZ SLD TLS 73  
Wired Touchless Sensor



AZ SLD WLTS 74  
Wireless Touchless Sensor



AZ SLD PB WL 70 A  
Wireless Push Button & Receiver



AZ FS 92  
Foot Sensor



AZ WIFI 31 A  
Wifi Module

**DOOR OPENING APPLICATIONS:**



Single Door



Double Door

**OPTIONAL INTEGRATION:**



FACE  
RECOGNITION



FINGER  
PRINT



RFID



QR CODE



PASSWORD



IOT



TOUCHLESS  
SENSOR



SAFETY  
DEVICES



BATTERY  
BACKUP

**TECHNICAL SPECIFICATIONS:**

**AZSLD207**

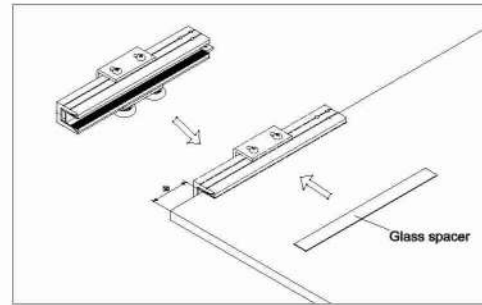
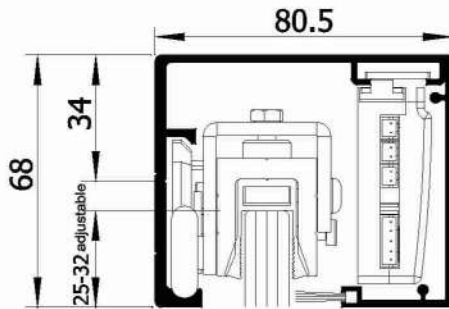
Max door weight (single)	1 x 80 kg
Max door weight (double)	2 x 60 kg
Door leaf width	max 2 m
Power Supply	220 V - 240 V AC
Motor Power	24 V BL DC / 40 W
Opening speed	100 - 400 mm/s (adjustable)
Closing speed	120 - 220 mm/s (adjustable)
Holding time	0-20 s
Operating Temperature	- 20 ~ + 70° C
Track Width	2.2 m
Weight	6 Kg





## SLIDING SINGLE GLASS DOOR OPERATOR AZSLD200

# AUTOZON®



SMOOTH RUNNING



SUPER SILENT



HIGH TECHNOLOGY



ASSEMBLED FAST

### PRODUCT DESCRIPTION:

- o AZSLD200 is Slimmest Automatic Sliding Door System with tiniest yet powerful operator which is only 68 mm height
- o It is compatible for single glass sliding door
- o The micro control drives the motor and controls the door to operate in the set mode. with the application of European engine and gearbox integration technology, the engine is made strong with stability in operation
- o Special lubrication measures, special deceleration mute wheel, professionally designed hanging parts and roller structure greatly reduce the running noise.
- o Suitable for offices, homes, restaurants, etc., can be used with a wide range of doors used for varied purposes.



# SLIDING SINGLE GLASS DOOR OPERATOR AZSLD200

# AUTOZON®

## RECOMMENDED ACCESSORIES:



AZ MRS 68  
Microwave Sensor



AZ OMS 68 01  
Microwave Sensor



AZ SLDRIS68 02  
Microwave & Infrared Sensor



AZ SLD SBP 71  
Photo Cell



AZ SLD TX 69  
Transmitter



AZ SLD TLS 73  
Wired Touchless Sensor



AZ SLD WLTS 74  
Wireless Touchless Sensor



AZ SLD PB WL 70  
Wireless Push Button & Receiver



AZ FS 92  
Foot Sensor



AZ WIFI 31 A  
Wifi Module

## DOOR FIXING APPLICATIONS:



Frameless Glass Door



Wooden Door

## OPTIONAL INTEGRATION:



FACE  
RECOGNITION



FINGER  
PRINT



RFID



QR CODE



PASSWORD



IOT



TOUCHLESS  
SENSOR



SAFETY  
DEVICES



BATTERY  
BACKUP

## TECHNICAL SPECIFICATIONS:

### AZSLD200

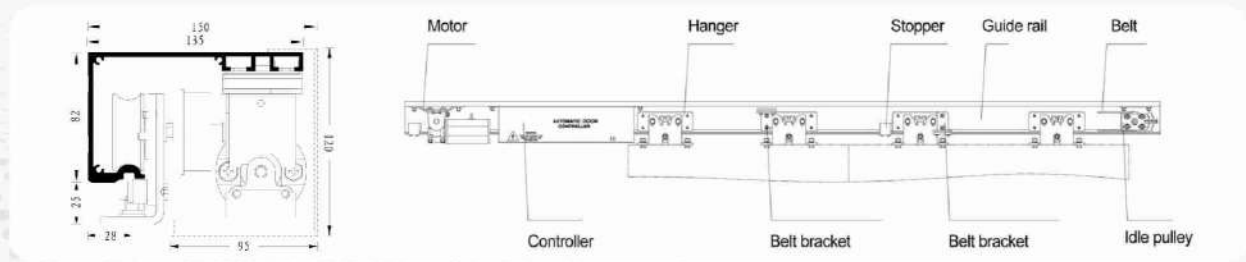
Door type	Single Door
Loading weight	60 kg
Door width	600-1100 mm
Power Supply	220 V - 240 V AC
Rated Power	24 V BL DC / 40 W
Opening speed	100-410 mm/S (adjustable)
Closing speed	120-220 mm/S (adjustable)
Opening time	0-20 s (adjustable)
Environment temperature	- 20 ~ +70° C
Track Width	2.5 m
Weight	8.5 Kg





# SLIDING SINGLE GLASS DOOR OPERATOR AZSLD201E - 4.2 M / 6 M

# AUTOZON®



## PRODUCT DESCRIPTION:

- o AZSLD201E is Designed to suit heavy duty applications, this model can operate up to 120kg per leaf in a wide range of applications
- o The micro control system drives the motor and controls the door to operate in the set mode. Wide voltage power supply design, many interface such as double door interlock.
- o With application of European motor and gearbox integration technology, the drive is made with stability in operation, improved strong output, and it can adapt to the needs of larger doors.
- o Special lubrication measures, special deceleration mute wheel, professionally designed hanging parts and roller structure greatly reduce the running noise.
- o Every time there is a self-test procedure, the door will rebound when it encounters resistance, which guarantees the safety of the passers-by.
- o Suitable for office buildings, storefronts, banks, restaurants, hotels, shopping centres, laboratories, hospitals, etc.,



# SLIDING SINGLE GLASS DOOR OPERATOR AZSLD201E - 4.2 M / 6 M

# AUTOZON®

## RECOMMENDED ACCESSORIES:



AZ MRS 68  
Microwave Sensor



AZ OMS 68 01  
Microwave Sensor



AZ SLDRIS68 02  
Microwave & Infrared Sensor



AZ SLD SBP 71  
Photo Cell



AZ SWD KS 430  
Keypad



AZ SLD TLS 73  
Wired Touchless Sensor



AZ SLD WLTS 74  
Wireless Touchless Sensor



AZ SLD PB WL 70  
Wireless Push Button & Receiver



AZ FS 92  
Foot Sensor



AZ RF WIFI 31 A  
Wifi Module

## STANDARD COMPONENTS:



Controller



Motor



Hanger



Stopper



Glass Clamp



Idle Pulley

## OPTIONAL INTEGRATION:



FACE  
RECOGNITION



FINGER  
PRINT



RFID



QR CODE



PASSWORD



IoT



TOUCHLESS  
SENSOR



SAFETY  
DEVICES



BATTERY  
BACKUP

## TECHNICAL SPECIFICATIONS:

AZSLD201E - 4.2 M / 6 M

Door type	Single Door / Double Door
Loading weight	$\leq 1 \times 150 \text{ kg}$ / $\leq 2 \times 125 \text{ kg}$
Door width	600-1800 mm / 1000-3000 mm
Power Supply	220 V - 240 V AC
Motor Power	24 V BL DC / 65 W
Opening speed	200-500 mm/s (adjustable)
Closing speed	200-500 mm/s (adjustable)
Opening time	0-9 s (adjustable)
Manual Force	<30 N / <40 N
Environment temperature	-20 ~ +50°C
Track Width	4.2 M & 6 M
Weight	33 Kg & 42.5Kg



# AUTOZON®

## ENTRANCE AUTOMATION

### Our Range of Products:



SLIDING GATE OPERATOR



SWING GATE OPERATOR



SLIDING DOOR OPERATOR



SWING DOOR OPERATOR



CURTAIN OPERATOR



BLINDS OPERATOR



BOOM BARRIER



GARAGE DOOR & OPERATOR



ROLLING SHUTTER & OPERATOR



HIGH SPEED DOOR & OPERATOR



SECTIONAL DOOR & OPERATOR



RETRACTABLE GATE



BOLLARD



DOCK LEVELLER



GATE HARDWARES



ACCESSORIES

### Applications:



RESIDENTIAL



INSTITUTION



PUBLIC PARKING



HOSPITAL



HOTEL



MALL



BUSINESS CENTER



WAREHOUSE



INDUSTRY

### Corporate Office:

#308/1A, Rajeev Gandhi Road  
Ganapathy, Coimbatore - 641 006  
Tamil Nadu, INDIA

### Chennai Branch Office:

No.3/14, 1st Cross Street, 1st Main Road,  
Kalaimagal Nagar, Ekkatuthangal,  
Chennai - 600032, Tamil Nadu, INDIA

### Contact:

T : +91 75980 16000  
M : +91 97872 55518

### Contact:

T : 044 47100570  
M : +91 9994929764



### For more details:

Visit: [www.autozonind.com](http://www.autozonind.com) | Email: [info@autozonind.com](mailto:info@autozonind.com)

### Sales & Service Network

Andhra Pradesh, Arunachal Pradesh, Assam, Bihar, Chhattisgarh, Goa, Gujarat, Haryana, Himachal Pradesh, Jharkhand, Karnataka, Kerala, Madhya Pradesh, Maharashtra, Manipur, Meghalaya, Mizoram, Nagaland, Odisha, Punjab, Rajasthan, Sikkim, Tamil Nadu, Telangana, Tripura, Uttar Pradesh, Uttarakhand, West Bengal



follow us on: [f](#) autozonind [@](#) autozonind [t](#) autozonind [c](#) autozonind