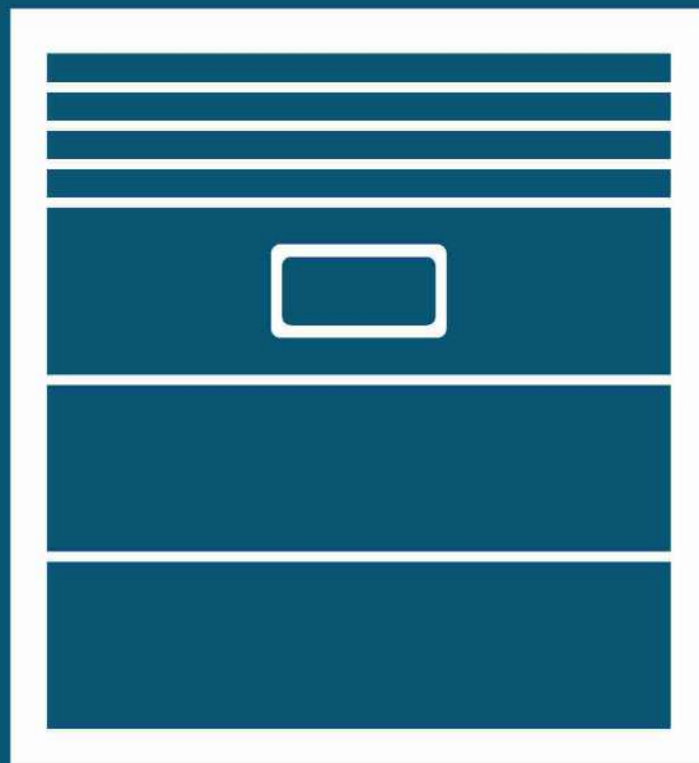
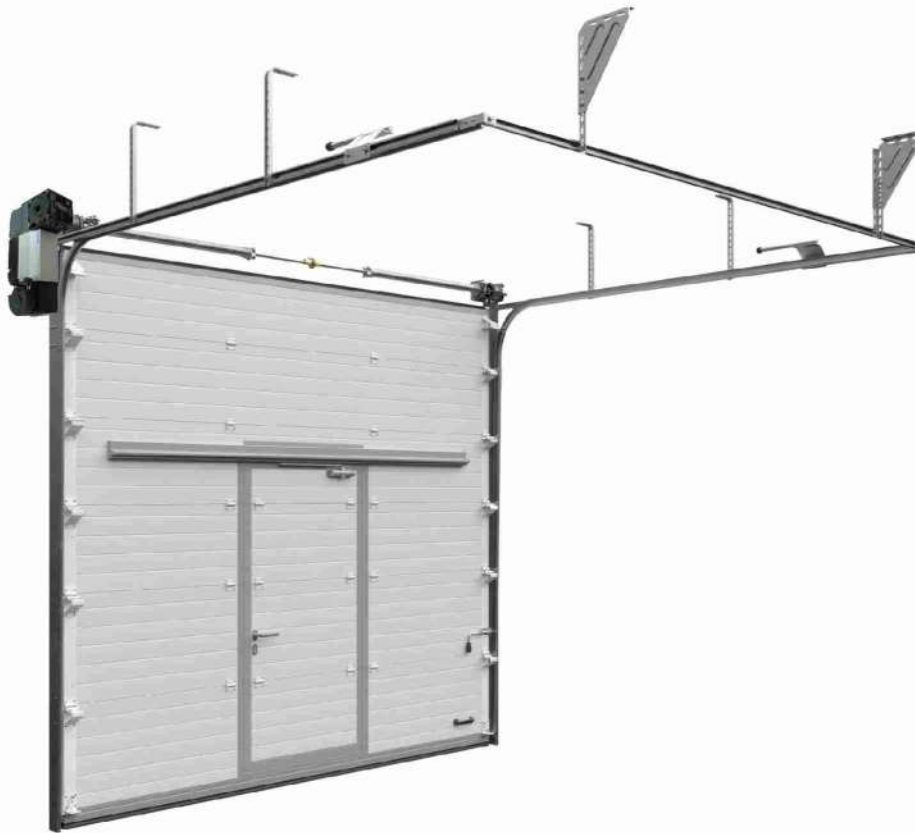


SECTIONAL DOOR OPERATOR





PRODUCT DESCRIPTION:

- o The standard electronic limit switch system can be set using the integrated control unit by using any conventional triplex sensing device.
- o Powerful gearing system combined with the latest motor technology.
- o The basic settings in the system can be changed to fit individual requirements.
- o The electric motor ensures long life, less-vibration and less-noise operation in all assembly positions.
- o Frequency conversion function, with soft start and soft stop function.
- o In the event of power failure, the door can still be opened and closed by manual chain.



SECTIONAL DOOR OPERATOR



RECOMMENDED ACCESSORIES:



AZ MRS 68
Microwave Sensor



AZ RFPC 43
Reflector Photocell



AZ RFPC 417M
IP Reflector Photocell



AZ LSEC 46
Series Light Curtain Sensor



AZ LB 33
Loop Detector



AZ HSD BES 64
Safety Edge Sensor



AZ PB 16 A
Push Button



AZ PB IP 65
Water Proof Push
Button



AZ SLD TLS 73
Wired Touch
less Sensor



AZ AF LAC 19A
Alarm Flash Lamp

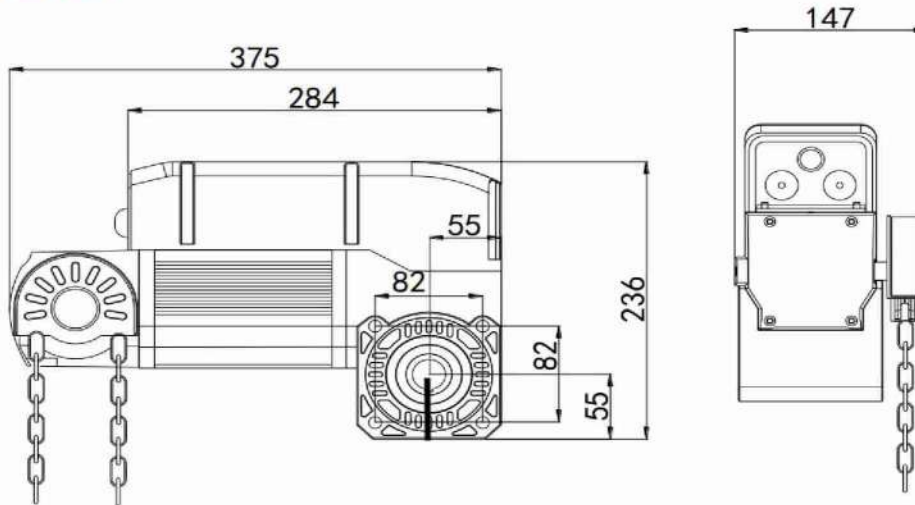


AZ FL 19
Flash Lamp



AZ SL 12
Signal Light

MACHINE CORE STRUCTURE:



OPTIONAL INTEGRATION:



FACE
RECOGNITION



FINGER
PRINT



RFID



QR CODE



PASSWORD



SAFETY
DEVICES

TECHNICAL SPECIFICATIONS:

MODEL	Voltage	MOTOR POWER (KW)	MAX DOOR AREA (Sqm)	TORQUE (Nm)	MOTOR RUNNING TIME	DIA OF OUTPUT SHAFT (Mm)	RUNNING SPEED (r/Min)	WORKING DUTY	PROTECTIVE LEVEL	PRODUCT WEIGHT (Kg)
AZISD40	220 V AC	370	18	40	25 Min	25.4	24	S2, 20 %	Ip54	13
AZISD60	220 V AC	450	25	60	25 Min	25.4	24	S2, 20 %	Ip54	14
AZISD100	220 V AC	650	35	100	25 Min	25.4	24	S2, 20 %	Ip54	15
AZISD150	220 V AC	800	40	150	25 Min	25.4	24	S2, 20 %	Ip54	16

AUTOZON®

ENTRANCE AUTOMATION

Our Range of Products:



SLIDING GATE OPERATOR



SWING GATE OPERATOR



SLIDING DOOR OPERATOR



SWING DOOR OPERATOR



CURTAIN OPERATOR



BLINDS OPERATOR



BOOM BARRIER



GARAGE DOOR & OPERATOR



ROLLING SHUTTER & OPERATOR



HIGH SPEED DOOR & OPERATOR



SECTIONAL DOOR & OPERATOR



RETRACTABLE GATE



BOLLARD



DOCK LEVELLER



GATE HARDWARES



ACCESSORIES

Applications:



RESIDENTIAL



INSTITUTION



PUBLIC PARKING



HOSPITAL



HOTEL



MALL



BUSINESS CENTER



WAREHOUSE



INDUSTRY

Corporate Office:

#308/1A, Rajeev Gandhi Road
Ganapathy, Coimbatore - 641 006
Tamil Nadu, INDIA

Chennai Branch Office:

No.3/14, 1st Cross Street, 1st Main Road,
Kalaimagal Nagar, Ekkatuthangal,
Chennai - 600032, Tamil Nadu, INDIA

Contact:

T : +91 75980 16000
M : +91 97872 55518

Contact:

T : 044 47100570
M : +91 9994929764



For more details:

Visit: www.autozonind.com | Email: info@autozonind.com

Sales & Service Network

Andhra Pradesh, Arunachal Pradesh, Assam, Bihar, Chhattisgarh, Goa, Gujarat, Haryana, Himachal Pradesh, Jharkhand, Karnataka, Kerala, Madhya Pradesh, Maharashtra, Manipur, Meghalaya, Mizoram, Nagaland, Odisha, Punjab, Rajasthan, Sikkim, Tamil Nadu, Telangana, Tripura, Uttar Pradesh, Uttarakhand, West Bengal



follow us on: [f](#) autozonind [@](#) autozonind [t](#) autozonind [c](#) autozonind