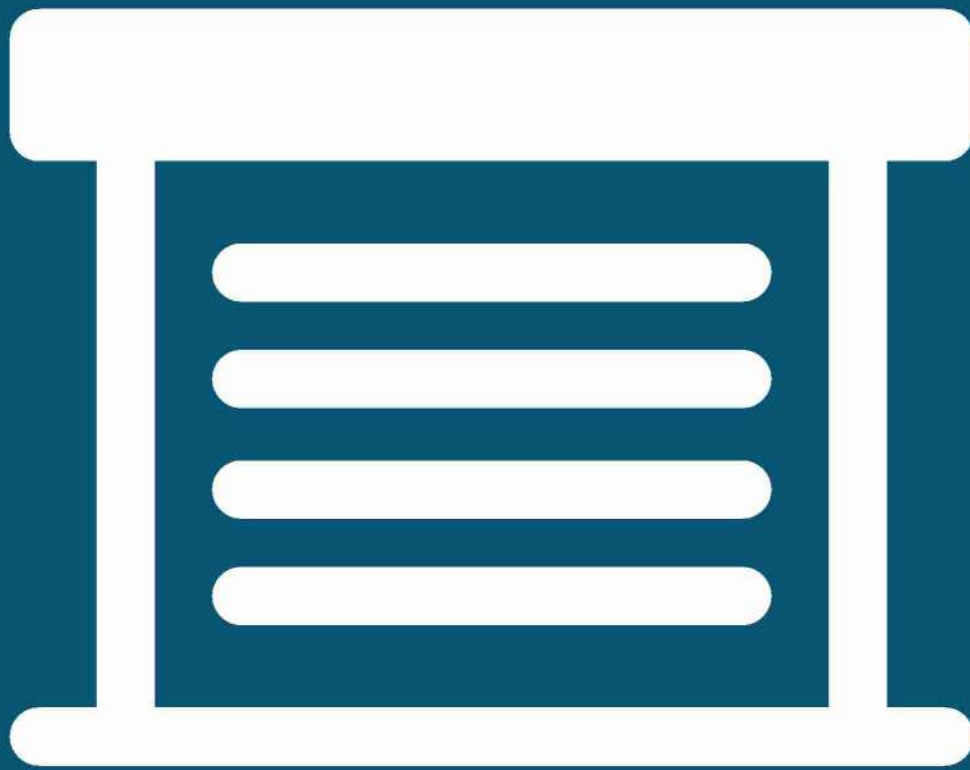


ROLLING SHUTTER OPERATOR





PRODUCT DESCRIPTION:

- o Light and handy, superior quality: The motor case are pressure-cast with high strength aluminum alloy.
- o Less noise, long cycle life: Reduction gear is made of high quality alloy, heat resistant with less noise.
- o High power and fast: The motor is efficiently-designed, all components are made of superior materials with minimum time and energy.
- o Power failure: In times of the power failure, pulling chain by hand may lift the door up, and pulling the clutch lever may let the door down.
- o Easy operation, safety and security: There are several ways of controlling, by using remote controller, hand control, and pulling chain by hand when power is failure. And to keep from breaking in, you could also lock the hand controlling by remote controller.
- o Suitable for: garages, shops, malls, exhibition halls, museums, factories, warehouses and etc

RECOMMENDED ACCESSORIES:



AZ RSR 44
Receiver



AZ RSR 45
Transmitter



AZ RSKB 53
Key Box



AZ RSPB 51
Push Button



AZ RSSB 01
Safety Break



AZ AF LAC 19A
Alarm Flash Lamp



AZ RS3P 46
Phase Changer
for 3 phase



AZ RSWLSDS 05
Wireless Safety
Edge Sensor



AZ RSEL 03
Electronic Lock



AZ WIFI 31 A
Wifi Module



AZ RSRT PC 48
Photocell Receiver



AZ RSPC 47
Photocell

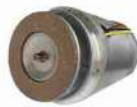
PRODUCT FEATURES:



**COPPER CORE
MOTOR**



**UPS LIGHTNING
PROTECTION**



**NANO BREAK
PAD**



**COPPER CORE BREAK
COIL**

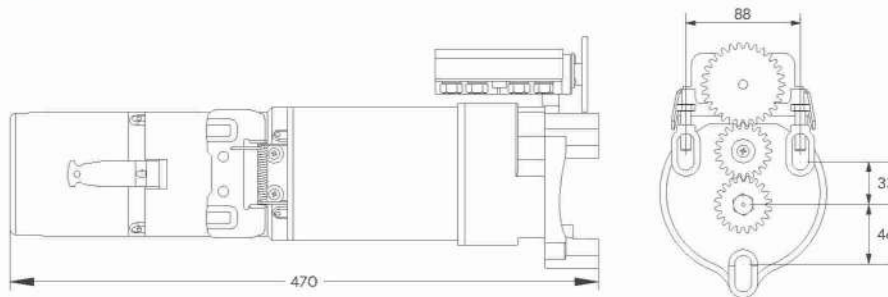


**NOISE REDUCTION
GEAR**



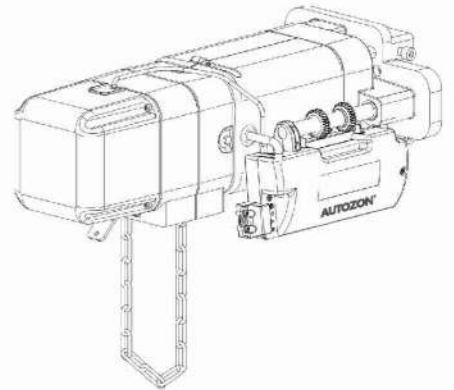
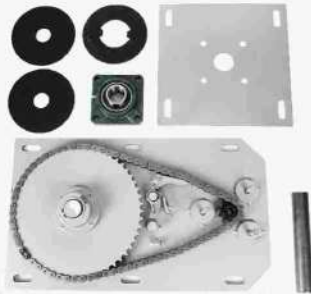
**POSITIONING
ACCURACY**

OPERATOR STRUCTURE:



TECHNICAL SPECIFICATIONS:

| MODEL | POWER SOURCE | RATED POWER (w) | RATED CURRENT (A) | LIFTING POWER (Kg.f) | OUTPUT TORQUE (Nm) | OUTPUT SPEED (RPM) | TUBE DIAMETER (mm) | CONTINUED WORKING TIME (Min) | MAX HEIGHT (M) | MOTOR & BRACKET WEIGHT (Kg) |
|---------------|------------------|-----------------|-------------------|----------------------|--------------------|--------------------|--------------------|------------------------------|----------------|-----------------------------|
| AZ RS 400 | 220 V - 240 V AC | 250 | 2.8 | 400 | 168 | 5.0 | 100 | 5 | 6 | M10.6 / B12.7 |
| AZ RS 600 | 220 V - 240 V AC | 370 | 3.3 | 600 | 412 | 4.8 | 150 | 5 | 6 | M12.2 / B14.5 |
| AZ RS 800 | 220 V - 240 V AC | 550 | 4.7 | 800 | 647 | 4.0 | 150 | 5 | 9 | M15.8 / B18.3 |
| AZ RS 1000 1P | 220 V - 240 V AC | 450 | 4.9 | 1000 | 809 | 3.5 | 150 | 5 | 9 | M15.7 / B26 |
| AZ RS 1000 3P | 380 V - 420 V AC | 450 | 2.8 | 1000 | 809 | 3.5 | 150 | 5.2 | 9 | M15.7 / B26 |
| AZ RS 1500 1P | 220 V - 240 V AC | 750 | 3.7 | 1500 | 1580 | 5.0 | 200 | 5.2 | 9 | M25 / B34.8 |
| AZ RS 1500 3P | 380 V - 420 V AC | 800 | 3.8 | 1500 | 1617 | 5.2 | 200 | 5.2 | 9 | M22.2 / B34.8 |
| AZ RS 2000 3P | 380 V - 420 V AC | 1000 | 4.1 | 2000 | 2450 | 3.6 | 200 | 7.0 | 12 | M28 / B52 |



PRODUCT DESCRIPTION:

- o Light and handy, superior quality: the motor case are pressure-cast with high strength aluminum alloy.
- o Power failure: When the power is failure, pulling the chain by hand may lift the door up, and pulling the clutch lever may let the door down.
- o Low noise, long cycle life: Reduction gear is made in high quality alloy gear, heat treatment & low noise.
- o High power and fast: The motor is optimum-designed, all components of which are made in superior materials, time and energy saving.
- o Easy operation, safety and security: There are several ways of controlling, by using remote controller, hand control, and pulling chain by hand when power is failure. And to keep from breaking in, you could also lock the hand controlling by remote controller.
- o Suitable for: garages, shops, malls, exhibition halls, museums, factories, warehouses and etc

RECOMMENDED ACCESSORIES:



AZ T21 W
Transmitter



AZ RT 43
Receiver



AZ PC 10
Photocell



AZ RFPC 417M
IP Reflector Photocell



AZ RSSB 01
Safety Break



AZ KS 15 A
Key Switch



AZ WLKP 17
Wireless Keypad



AZ FL 19
Flash Lamp



AZ AF LAC 19A
Alarm Flash Lamp



AZ PB 16 A
Push Button

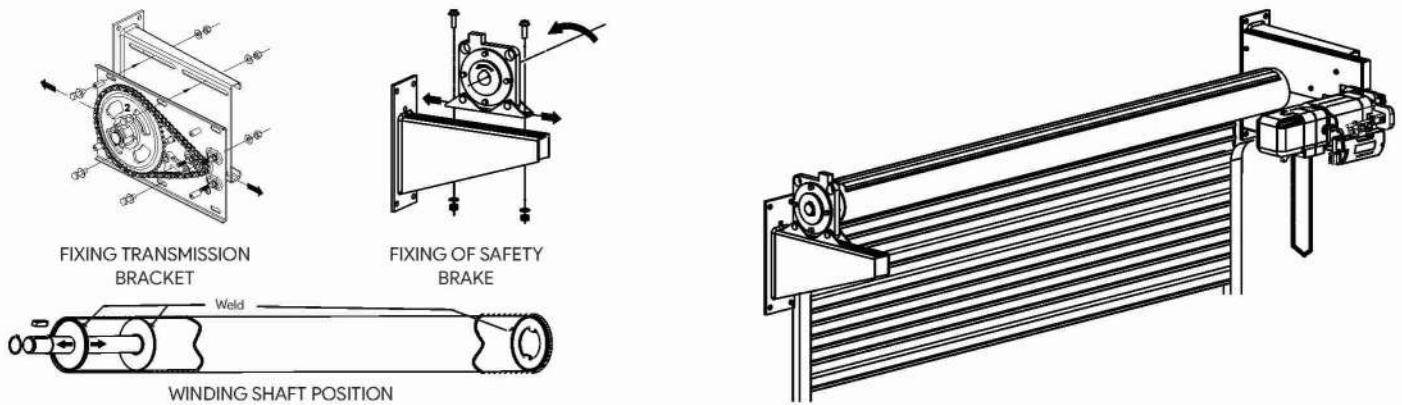


AZ PB IP 65
Water Proof Push Button



AZ RF WIFI 31 A
Wifi Module

INSTALLATION DETAILS :



OPTIONAL INTEGRATION:



FACE
RECOGNITION



FINGER
PRINT



RFID



QR CODE



PASSWORD



IOT



SAFETY
DEVICES

| TECHNICAL SPECIFICATIONS: | AZ RSIT 400 | AZ RSIT 600 |
|----------------------------------|--------------------|--------------------|
| Input Power | 220 V - 240 V AC | 220 V - 240 V AC |
| Rated Power | 300 W | 370 W |
| Max. Torque | 343 Nm | 412 Nm |
| Output Speed | 5.5 RPM | 5.5 RPM |
| Lifting Force | 400 Kg | 600 Kg |
| Working Time | 7 - 8 mins | 7 - 8 mins |
| Tube Diameter | 100 mm | 100 mm |
| Protection Class | IP 44 | IP 44 |
| Motor Weight | 14 Kg | 14.5 Kg |
| Bracket Weight | 12.7 Kg | 14.5 Kg |



PRODUCT DESCRIPTION:

- o Easy to install and maintain provided with long life.
- o Powerful, Less noise, less energy consumption.
- o Operator comes with resistance rebound function
- o Works with UPS control system.
- o In case of power failure, the UPS automatic power reserves, that can ensure motor run about 20 times in normal.
- o The UPS control system gets charged automatically.
- o Reserve power supply is used in batteries for universal product(4.5Ah/ 24V).

RECOMMENDED ACCESSORIES:



AZ RSDTX 02
Transmitter



AZ RSDC 01
Controller



AZ PC 10
Photocell



AZ RFPC 417M
IP Reflector Photocell



AZ KS 15 A
Key Switch



AZ RF WIFI 31 A
Wifi Module



AZ RSSB 01
Safety Break



AZ AF LAC 19A
Alarm Flash Lamp

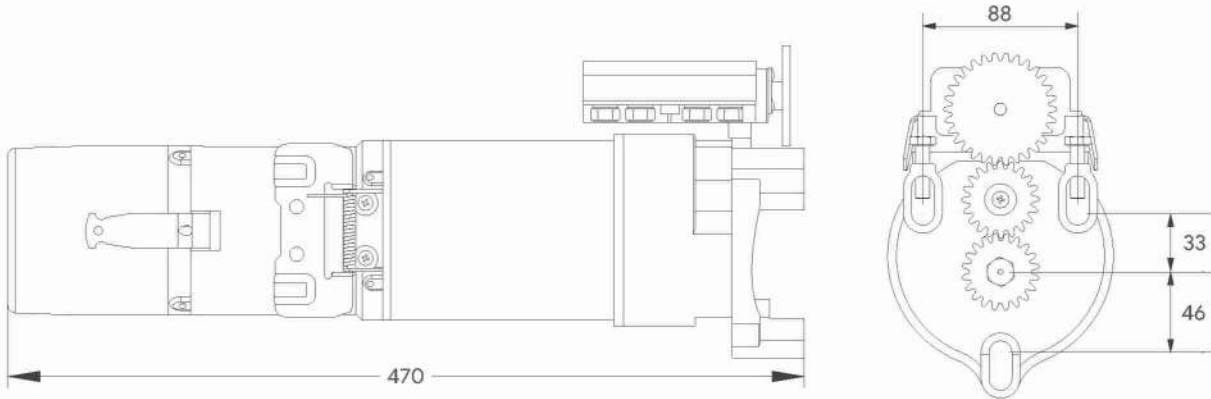


AZ FL 19
Flash Lamp



AZ GSM 30
GSM Module

OPERATOR STRUCTURE:



OPTIONAL INTEGRATION:



FACE
RECOGNITION



FINGER
PRINT



RFID



QR CODE



PASSWORD



IOT



SAFETY
DEVICES



BATTERY
BACKUP

TECHNICAL SPECIFICATIONS:

| MODEL | INPUT VOLTAGE & FREQUENCY | RATED CURRENT | POWER (W) | OUTPUT TORQUE (n.m) | MAX LIFTING FORCE (Kg) | OUTPUT SPEED (RPM) | MAX RAISING HEIGHT (m) | TUBE DIAMETER (mm) | WORKING TIME (Min) | MOTOR & BRACKET WEIGHT (Kg) |
|-----------|---------------------------|---------------|-----------|---------------------|------------------------|--------------------|------------------------|--------------------|--------------------|-----------------------------|
| AZRSDC400 | 220 V - 240 V AC | 10 | 200 | 168 | 400 | 4.6 | 4.5 | 100 | 5 | M 15 / B 12.7 |
| AZRSDC600 | 220 V - 240 V AC | 14 | 240 | 412 | 600 | 4.2 | 6 | 150 | 5 | M 15.3 / B 14.5 |
| AZRSDC800 | 220 V - 240 V AC | 18 | 380 | 647 | 800 | 3.9 | 9 | 150 | 5 | M 16.8 / B 18.5 |



PRODUCT DESCRIPTION:

- o The AUTOZON Fire rated rolling shutter operator designed especially for fire shutters.
- o Compact design , powerful drives, safe & reliable performance.
- o Control box can be connected to any fire or smoke detection system or can be equipped with stand-alone smoke detectors.
- o “Thermal Fusible Link” is an inbuilt option.
- o Stable and reliable braking, accurate limited control positioning with double limit switch protection.
- o Auto-Close function incase of fire incidents
- o Manual operation incase of power failure.

RECOMMENDED ACCESSORIES:



AZ RFRC 01
Controller



AZ RFRK 02
Key Pad



AZ RFRT 03
Thermal Fusible link



AZ RFRS 04
Smoke Sensor



AZ RFRH 05
Heat Sensor



AZ RFPC 43 15M
Reflector Photocell



AZ RSSB 01
Safety Break



AZ AF LAC 19A
Alarm Flash Lamp

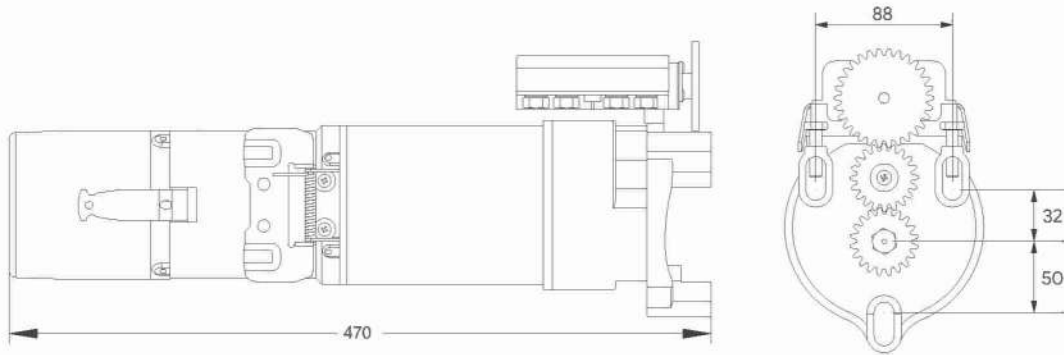


AZ KS 15 A
Key Switch



AZ RF WIFI 31 A
Wifi Module

MACHINE CORE STRUCTURE:



OPTIONAL INTEGRATION:



FACE
RECOGNITION



FINGER
PRINT



RFID



QR CODE



PASSWORD



IOT



SAFETY
DEVICES

TECHNICAL SPECIFICATIONS:

| MODEL | VOLTAGE | POWER (W) | LIFTING POWER (KG) | OUTPUT TORQUE (N.m) | OUTPUT SPEED (R/Min) | LIFTING HEIGHT (M) | STANDARD TUBE DIAMETER (Mm) | MOTOR & BRACKET WEIGHT (Kg) |
|------------|------------------|-----------|--------------------|---------------------|----------------------|--------------------|-----------------------------|-----------------------------|
| AZRSFR300 | 380 V - 420 V AC | 180 | 300 | 168 | 6.5 | 6 | 100 | M 11.8 / B 14.6 |
| AZRSFR600 | 380 V - 420 V AC | 250 | 600 | 420 | 6.5 | 6 | 150 | M 12.4 / B 14.6 |
| AZRSFR800 | 380 V - 420 V AC | 550 | 800 | 647 | 4.8 | 9 | 150 | M 16.1 / B 19 |
| AZRSFR1000 | 380 V - 420 V AC | 550 | 1000 | 809 | 4.4 | 9 | 150 | M 16.4 / B 26.4 |
| AZRSFR1300 | 380 V - 420 V AC | 600 | 1300 | 1401 | 5.2 | 9 | 200 | M 23.2 / B 30.3 |
| AZRSFR1500 | 380 V - 420 V AC | 800 | 1500 | 1617 | 4.8 | 9 | 200 | M 24.5 / B 39.5 |



PRODUCT DESCRIPTION:

- o AUTOZON direct drive rolling shutters operators are designed for the operation of unbalanced rolling shutter.
- o The drive is pushed on to the cylinder shaft and can serve directly as a bearing for the door shaft. The drives can be mounted horizontally or vertically.
- o Specialized industrial rolling shutter with geared motors of up to 10 kW and torque of up to 65.41 Nm
- o The maintenance-free safety gear, independent of position and speed, is integrated in the gear. All electrical connections are made via detachable plug connectors.
- o Our operators have the usual operating voltages 3x230/400VAC and 1x230VAC with limit switches (mechanical or electronic) and emergency operation (emergency hand chain or hand crank)

RECOMMENDED ACCESSORIES:



AZ T21W
Transmitter



AZ PCW L11
Wireless Photocell



AZ RFPC 417M
IP Reflector Photocell



AZ SL 12
Signal Light



AZ ML 13
Manual Lock



AZ KS 15 A
Key Switch



AZ HSD BES 64
Safety Edge Sensor



AZ LB 33
Loop Detector



AZ AF LAC 19A
Alarm Flash Lamp



AZ PB 16 A
Push Button

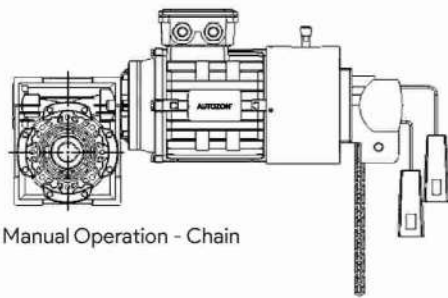


AZ PB IP 65
Water Proof Push Button

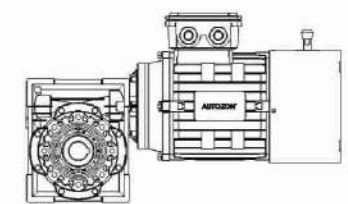
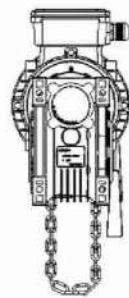


AZR1 40
External Receiver

MACHINE CORE STRUCTURE:



Manual Operation - Chain



Manual Operation - Crank

OPTIONAL INTEGRATION:



FACE
RECOGNITION



FINGER
PRINT



RFID



QR CODE



PASSWORD



IOT



SAFETY
DEVICES

TECHNICAL SPECIFICATIONS:

| MODEL | VOLTAGE | POWER (KW) | SPEED (R/MIN) | MOTOR TORQUE (N.M) | SHAFT DIA (MM) | GEAR EFFICIENCY (%) | GEAR BOX (NM) | OUTPUT SPEED (RPM) | OUTPUT TORQUE (RPM) |
|-------------|------------------|------------|---------------|--------------------|----------------|---------------------|---------------|--------------------|---------------------|
| AZRSDD450 | 220 V - 240 V AC | 0.45 | 1400 | 3.07 | 25 | 0.6 | 110.5 | 22 | 114 |
| AZRSDD750 | 220 V - 240 V AC | 0.75 | 1400 | 5.12 | 25 | 0.6 | 184.2 | 22 | 187 |
| AZRSDD1500 | 220 V - 240 V AC | 1.5 | 1420 | 10.09 | 25 | 0.63 | 381.3 | 22 | 392 |
| AZRSDD2200 | 220 V - 240 V AC | 2.2 | 1430 | 14.67 | 28 | 0.66 | 581.8 | 24 | 577 |
| AZRSDD3000 | 380 V - 420 V AC | 3.0 | 1440 | 19.90 | 35 | 0.66 | 823.7 | 24 | 817 |
| AZRSDD4000 | 380 V - 420 V AC | 4.0 | 1440 | 26.53 | 42 | 0.69 | 1161.9 | 24 | 1094 |
| AZRSDD5500 | 380 V - 420 V AC | 5.5 | 1450 | 36.22 | 45 | 0.73 | 1586.6 | 242 | 1591 |
| AZRSDD7500 | 380 V - 420 V AC | 7.5 | 1450 | 49.40 | 50 | 0.73 | 2163.6 | 24 | 2178 |
| AZRSDD10000 | 380 V - 420 V AC | 10 | 1450 | 65.41 | 50 | 0.73 | 2884.7 | 24 | 2864 |



PRODUCT DESCRIPTION:

- o Tubular motors are the driving force behind the majority of roller shutters, awnings and garage doors.
- o High efficiency of the motor is guaranteed by a three-stage planetary gear having high-strength steel gears
- o Flexible control mode, single control, group control and packet control can be achieved.
- o All tubular motors are tough and durable and emits less noise.
- o We have suitable options for commercial, industrial and domestic purpose.
- o Easy installation and smooth running, dB level below 42dB

RECOMMENDED ACCESSORIES:



AZ T21W
Transmitter



AZ T23 2 CH / AZ T24 6 CH
AZ T25 24 CH
Multichannel Transmitter



AZ RT 41
Receiver



AZ RT 42
Receiver



AZ RT 43
Receiver



AZ PC 10
Photocell



AZ RFPC 41 7M
IP Reflector Photocell



AZ WLKP 17
Wireless Keypad



AZ KS 15 A
Key Switch



AZ PB 16 A
Push Button

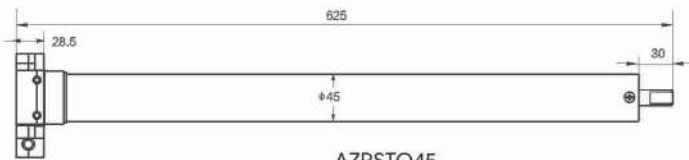


AZ AF LAC 19A
Alarm Flash Lamp

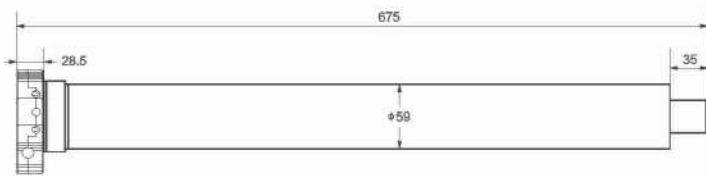
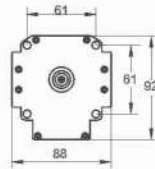


AZ FL 19
Flash Lamp

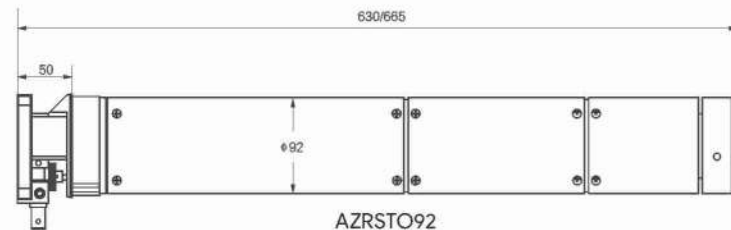
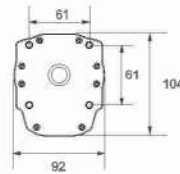
MACHINE CORE STRUCTURE:



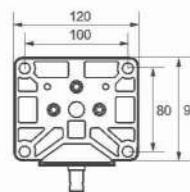
AZRSTO45



AZRSTO59



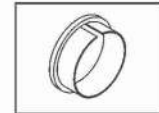
AZRSTO92



HARDWARE:



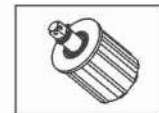
AZ TOC 02 Crank



Crown



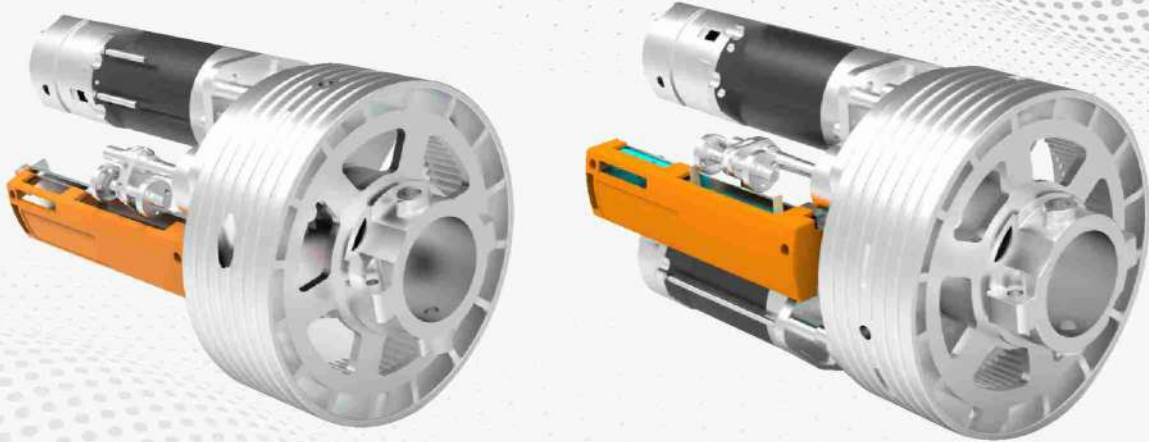
Adapter



Idler

TECHNICAL SPECIFICATIONS:

| | AZRSTO45 | AZRSTO59 | AZRSTO92 |
|--------------------|------------------|------------------|------------------|
| Input Power | 220 V - 240 V AC | 220 V - 240 V AC | 220 V - 240 V AC |
| Rated Power | 310 W | 465 W | 870 W |
| Max. Torque | 60 Nm | 140 Nm | 350 Nm |
| Rated Frequency | 50 | 50 | 50 |
| Running Time (min) | 4 | 4 | 4 |
| Rated Current | 1.35 A | 2.12 A | 3.80 A |
| Rotating | 12 rpm | 9 rpm | 8 rpm |
| Limit Turns | 15 tum | 26 tum | 13 tum |
| Protection Class | IP 44 | Ip 44 | Ip 44 |
| Motor Weight | 3.5 Kg | 5.8 Kg | 15 Kg |



PRODUCT DESCRIPTION:

- o Can work with 200-260 mm springs together.
- o Electromagnet brake ensures safety. It holds the shutter from coming down in case of power failure.
- o The brake can be manually released incase of emergency or power failure to open or to close.
- o Easy installation, no need to use adaptor.
- o Mechanical limit.
- o Less noise.

RECOMMENDED ACCESSORIES:



AZ T21W
Transmitter



AZ RT 43
Receiver



AZ RS CM 03
Manual Clutch & Switch



AZ KS 15 A
Key Switch



AZ PB 16 A
Push Button



AZ KS 15
Key Switch



AZ PC 10
Photocell



AZ GSM 30
GSM Module

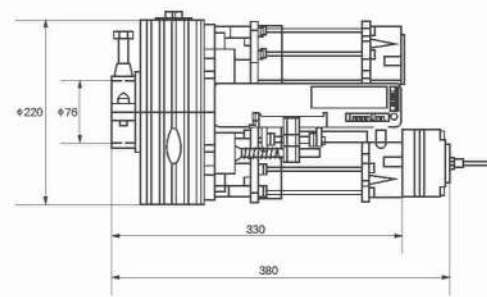
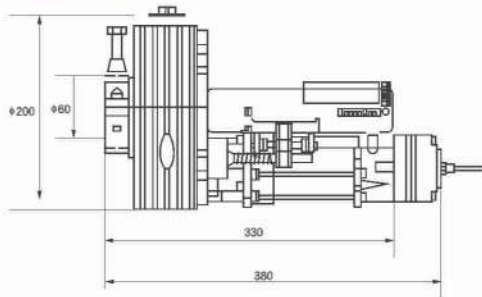


AZ FL 19
Flash Lamp



AZ RF WIFI 31 A
Wifi Module

OPERATOR STRUCTURE:



OPTIONAL INTEGRATION:



FACE
RECOGNITION



FINGER
PRINT



RFID



QR CODE



PASSWORD



IOT



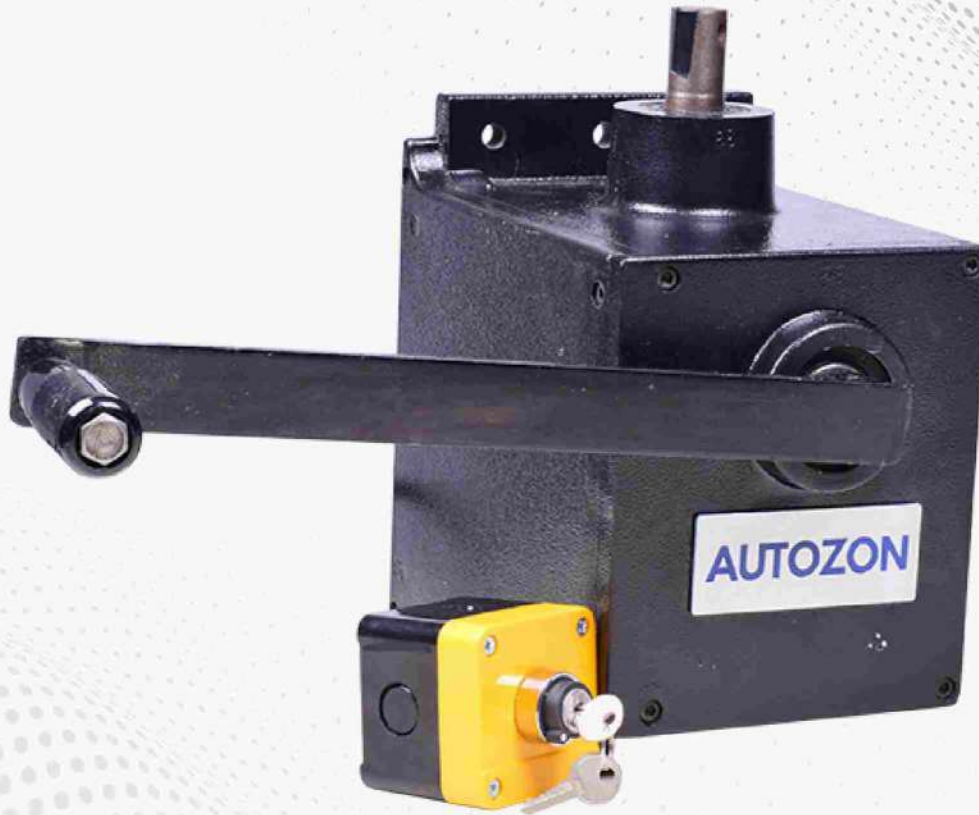
GSM



SAFETY
DEVICES

TECHNICAL SPECIFICATIONS:

| | AZR180 | AZR350 |
|----------------------------------|------------------|------------------|
| Input Power | 220 V - 240 V AC | 220 V - 240 V AC |
| Torque (Nm) | 180 | 350 |
| RPM | 10 | 8 |
| Rated Power (W) | 580 | 1000 |
| Consumption (A) | 2.6 | 4.5 |
| Lifting Capacity (Kg) | 180 | 360 |
| Limit Switch Max Door Travel (m) | 6 | 6 |
| Running Time (min) | 4 | 4 |
| Tube Dia (mm) | 60 | 76 |
| Pully (mm) | 200 | 240 |
| Protection Class | IP 20 | IP 20 |
| Motor Weight | 12 Kg | 18 Kg |



PRODUCT DESCRIPTION:

- o Easy fitting.
- o Single and three phase power version available.
- o Saves manpower.
- o Suitable for new and existing shutter.
- o Inside and outside manual operation in case of power failure.

RECOMMENDED ACCESSORIES:



AZ T21W
Transmitter



AZ RT 43
Receiver



AZ RS3P 46
Phase Changer for 3 phase



AZ KS 15 A
Key Switch



AZ PC 10
Photocell



AZ PB 16 A
Push Button



AZ AF LAC 19A
Alarm Flash Lamp



AZ FL 19
Flash Lamp

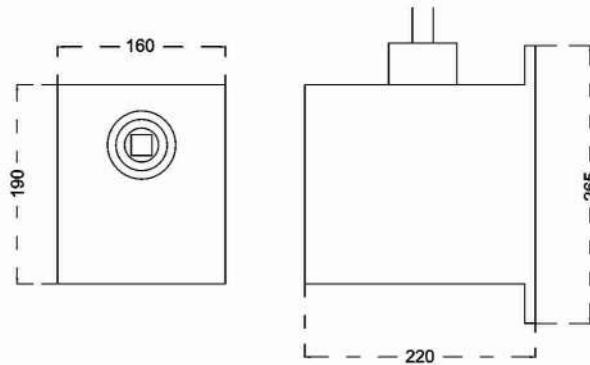


AZ GSM 30
GSM Module



AZ RF WIFI 31 A
Wifi Module

OPERATOR STRUCTURE:



OPTIONAL INTEGRATION:



FACE
RECOGNITION



FINGER
PRINT



RFID



QR CODE



PASSWORD



IOT



GSM



SAFETY
DEVICES

| TECHNICAL SPECIFICATIONS: | AZRGO120 | AZRGO121 |
|---------------------------|------------------|------------------|
| Capacity Weight | 750 Kg | 1500 Kg |
| Input Power | 220 V - 240 V AC | 380 V - 420 V AC |
| Output Speed | 42 rpm | 42 rpm |
| Motor Speed | 1440 rpm | 1440 rpm |
| Motor Power | 373 W | 373 W |
| Max Width | 5.5 mtr | 7.5 mtr |
| Max Height | 7.5 mtr | 7.5 mtr |
| Shutter Operating Speed | 7.5 ft pm | 7.5 ft pm |
| Working Temperature | - 20 - + 50° C | - 20 - + 50° C |
| Lubrication | Grease | Grease |
| Weight | 18 Kg | 20 Kg |

AUTOZON[®]

ENTRANCE AUTOMATION

Our Range of Products:



SLIDING GATE OPERATOR



SWING GATE OPERATOR



SLIDING DOOR OPERATOR



SWING DOOR OPERATOR



CURTAIN OPERATOR



BLINDS OPERATOR



BOOM BARRIER



GARAGE DOOR & OPERATOR



ROLLING SHUTTER & OPERATOR



HIGH SPEED DOOR & OPERATOR



SECTIONAL DOOR & OPERATOR



RETRACTABLE GATE



BOLLARD



DOCK LEVELLER



GATE HARDWARES



ACCESSORIES

Applications:



RESIDENTIAL



INSTITUTION



PUBLIC PARKING



HOSPITAL



HOTEL



MALL



BUSINESS CENTER



WAREHOUSE



INDUSTRY

Corporate Office:

#308/1A, Rajeev Gandhi Road
Ganapathy, Coimbatore - 641 006
Tamil Nadu, INDIA

Chennai Branch Office:

No.3/14, 1st Cross Street, 1st Main Road,
Kalaimagal Nagar, Ekkatuthangal,
Chennai - 600032, Tamil Nadu, INDIA

Contact:

T : +91 75980 16000
M : +91 97872 55518

Contact:

T : 044 47100570
M : +91 9994929764



For more details:

Visit: www.autozonind.com | Email: info@autozonind.com

Sales & Service Network

Andhra Pradesh, Arunachal Pradesh, Assam, Bihar, Chhattisgarh, Goa, Gujarat, Haryana, Himachal Pradesh, Jharkhand, Karnataka, Kerala, Madhya Pradesh, Maharashtra, Manipur, Meghalaya, Mizoram, Nagaland, Odisha, Punjab, Rajasthan, Sikkim, Tamil Nadu, Telangana, Tripura, Uttar Pradesh, Uttarakhand, West Bengal



follow us on: [f](#) autozonind [@](#) autozonind [t](#) autozonind [c](#) autozonind