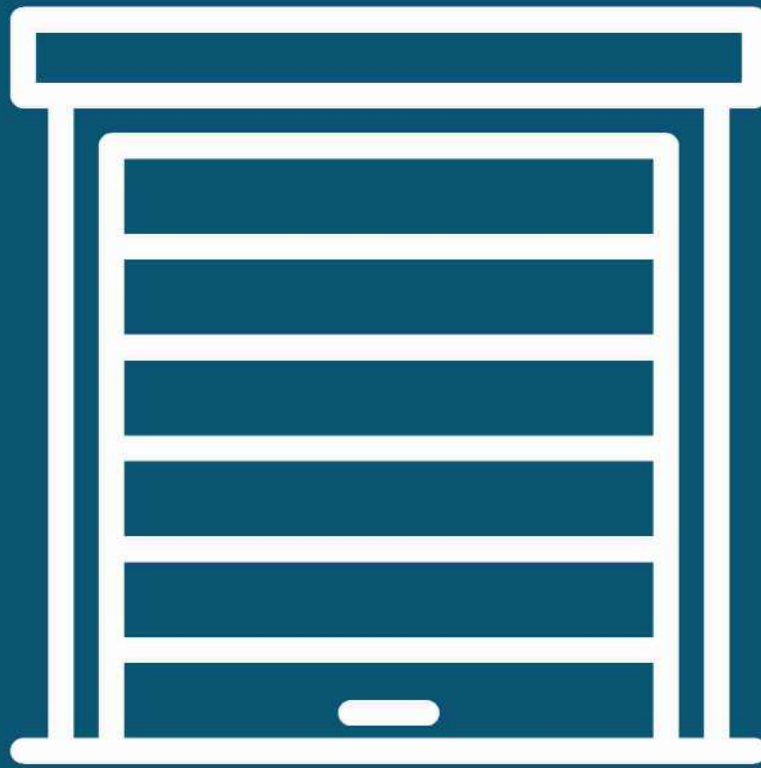


HIGH SPEED DOOR OPERATOR





PRODUCT DESCRIPTION:

- o HIGH SPEED DOOR VF OPERATOR is an electromagnetic braking variable frequency motor specifically designed for high speed industrial doors.
- o The feature of the motor and electromagnetic function controls the electromagnetic noise and vibration caused by high frequency harmonics, and makes the motor quieter and smoother.
- o Door max operating speed is 1 m / 1.2 s
- o The motor wide frequency constant torque speed regulation characteristic makes the speed regulation more stable. With the high efficiency electromagnetic brake, ensure large braking torque, rapid braking speed and accuracy in breaking operation, which provides better power for the fast industrial high speed door.
- o Manual operation (emergency hand chain or hand crank).

RECOMMENDED ACCESSORIES:



AZ MRS 68
Microwave Sensor



AZ RFPC 43 15M
Reflector Photocell



AZ RFPC 41 7M
IP Reflector Photocell



AZ LSEC 46
Series Light Curtain Sensor



AZ LB 33
Loop Detector



AZ HSD BES 64
Safety Edge Sensor



AZ PB 16 A
Push Button



AZ PB IP 65
Water Proof Push Button



AZ SLD TLS 73
Wired Touch less Sensor



AZ AF LAC 19A
Alarm Flash Lamp

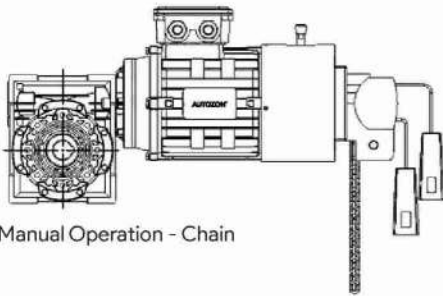


AZ SL 12
Signal Light

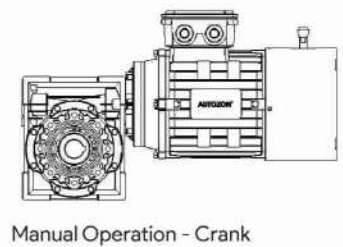
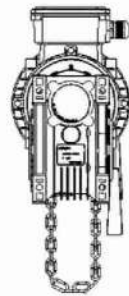


AZ ML 13
Manual Lock

MACHINE CORE STRUCTURE:



Manual Operation - Chain



Manual Operation - Crank

OPTIONAL INTEGRATION:



FACE RECOGNITION



FINGER PRINT



RFID



QR CODE



PASSWORD



SAFETY DEVICES

TECHNICAL SPECIFICATIONS:

MODEL	VOLTAGE	POWER (KW)	CURRENT (A)	OUTPUT TORQUE (NM)	SPEED (R/MIN)	MAX HOLDING TORQUE (NM)	GEAR RATIO	OUTPUT SPEED (RPM)	SHAFT DIA METER (MM)	MAX CYCLE PER HOUR
AZHSD120	220 V - 240 V AC	0.75	3.5	62	1400	148	1:15	30 - 200	Ø25	50
AZHSD121	220 V - 240 V AC	1.5	6	127	1420	279	1:15	30 - 200	Ø25	50
AZHSD122	220 V - 240 V AC	2.2	8.4	185	1430	444	1:15	30 - 200	Ø28	50
AZHSD126	380 V - 420 V AC	3.0	6.48	250	1440	600	1:15	8 - 200	Ø35	50
AZHSD127	380 V - 420 V AC	4.0	8.37	342	1440	820	1:15	8 - 200	Ø42	50
AZHSD128	380 V - 420 V AC	5.5	11.1	467	1450	1027	1:15	8 - 200	Ø45	40



PRODUCT DESCRIPTION:

- o High speed servo operator use full closed-loop servo control and double encoder design, this is to ensure long operating life and to prevent overheating during operation
- o Stability: Servo operator utilizes integrated design concept in order to simplify internal wiring and to prevent malfunction caused by wiring and terminal connections
- o High Speed: Motor max speed is 2500 rpm ; door max operating speed is 1 m / 0.8 s
- o Custom-made: Each system with operating control order and mode can be custom made to suit each door, to ensure max operating condition. The system has a unique order and more memory mode and one key recovery mode.
- o Safety : The system has a build in emergency stop signal and control order. The motor can be activated within 30 millisecond after receiving the order ,to ensure maximum safety.
- o High usage : The system applicable for continuous high usage and it can be applied to high frequency high speed passage ways.



RECOMMENDED ACCESSORIES:



AZ MRS 68
Microwave Sensor



AZ RFPC 43 15M
Reflector Photocell



AZ RFPC 41 7M
IP Reflector Photocell



AZ LSEC 46
Series Light Curtain Sensor



AZ LB 33
Loop Detector



AZ HSD BES 64
Safety Edge Sensor



AZ PB 16 A
Push Button



AZ PB IP 65
Water Proof Push
Button



AZ SLD TLS 73
Wired Touch
less Sensor



AZ AF LAC 19A
Alarm Flash Lamp

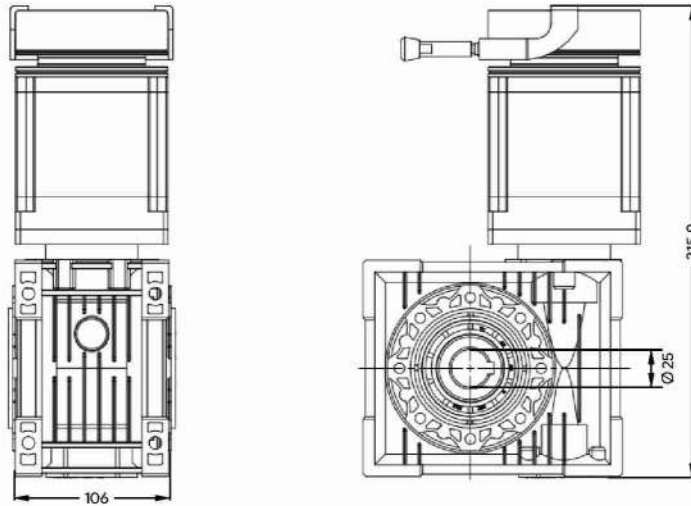


AZ SL 12
Signal Light



AZ ML 13
Manual Lock

MACHINE CORE STRUCTURE:



OPTIONAL INTEGRATION:



FACE
RECOGNITION



FINGER
PRINT



RFID



QR CODE



PASSWORD



SAFETY
DEVICES

TECHNICAL SPECIFICATIONS:

MODEL	Voltage	POWER (KW)	CURRENT (A)	SPEED (R/MIN)	TORQUE (Nm)	GEAR RATIO	OUTPUT SPEED (r/Min)	OUTPUT TORQUE (Nm)	SHAFT DIA METER (MM)	MAX CYCLE PER HOUR
AZHSDSM131	220 V - 240 V AC	0.75	3.5 A	1500	4.75	1:15	30 - 200	40	Ø 25	60
AZHSDSM132	220 V - 240 V AC	1.5	3.5 A	1500	9.55	1:15	30 - 100	60	Ø 25	60
AZHSDSM133	220 V - 240 V AC	2.2	6 A	1500	14	1:15	30 - 300	86	Ø 25	60

AUTOZON®

ENTRANCE AUTOMATION

Our Range of Products:



SLIDING GATE OPERATOR



SWING GATE OPERATOR



SLIDING DOOR OPERATOR



SWING DOOR OPERATOR



CURTAIN OPERATOR



BLINDS OPERATOR



BOOM BARRIER



GARAGE DOOR & OPERATOR



ROLLING SHUTTER & OPERATOR



HIGH SPEED DOOR & OPERATOR



SECTIONAL DOOR & OPERATOR



RETRACTABLE GATE



BOLLARD



DOCK LEVELLER



GATE HARDWARES



ACCESSORIES

Applications:



RESIDENTIAL



INSTITUTION



PUBLIC PARKING



HOSPITAL



HOTEL



MALL



BUSINESS CENTER



WAREHOUSE



INDUSTRY

Corporate Office:

#308/1A, Rajeev Gandhi Road
Ganapathy, Coimbatore - 641 006
Tamil Nadu, INDIA

Chennai Branch Office:

No.3/14, 1st Cross Street, 1st Main Road,
Kalaimagal Nagar, Ekkatuthangal,
Chennai - 600032, Tamil Nadu, INDIA

Contact:

T : +91 75980 16000
M : +91 97872 55518

Contact:

T : 044 47100570
M : +91 9994929764



For more details:

Visit: www.autozonind.com | Email: info@autozonind.com

Sales & Service Network

Andhra Pradesh, Arunachal Pradesh, Assam, Bihar, Chhattisgarh, Goa, Gujarat, Haryana, Himachal Pradesh, Jharkhand, Karnataka, Kerala, Madhya Pradesh, Maharashtra, Manipur, Meghalaya, Mizoram, Nagaland, Odisha, Punjab, Rajasthan, Sikkim, Tamil Nadu, Telangana, Tripura, Uttar Pradesh, Uttarakhand, West Bengal



follow us on: [f](#) autozonind [@](#) autozonind [t](#) autozonind [c](#) autozonind