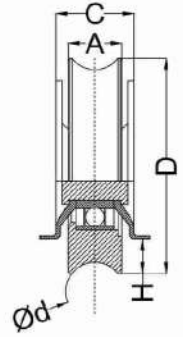
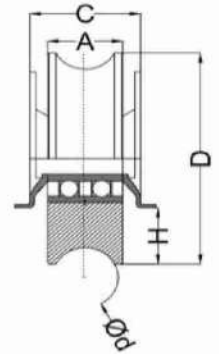


Sliding Gate Wheel
with Double Plates
(Single Bearing, U Groove)



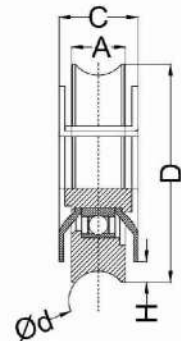
PRODUCT CODE	D mm	A	C	H	d	WEIGHT(g)	CAPACITY(kg)
AZ C1U60 R16	58	17	28	7	16.5	330	125

Sliding Gate Wheel
with Double Plates
(Double Bearing, U Groove)



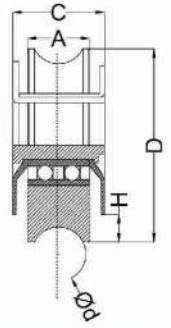
PRODUCT CODE	D mm	A	C	H	d	WEIGHT(g)	CAPACITY(kg)
AZ C2U80 R20	78	25	37	16	20.5	737	200
AZ C2U100 R20	98	25	38	17	20.5	1339	300
AZ C2U120 R20	118	30	42	22	20.5	2412	400

Sliding Gate Wheel
with Interior Bracket
(Single Bearing, U Groove)



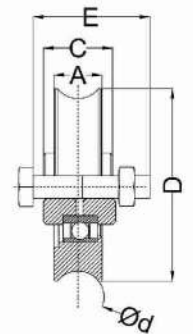
PRODUCT CODE	D mm	A	C	H	d	WEIGHT(g)	CAPACITY(kg)
AZ CN1U60 R16	58	17	26	10	16.5	360	125

Sliding Gate Wheel with Interior Bracket
(Double Bearing, U Groove)



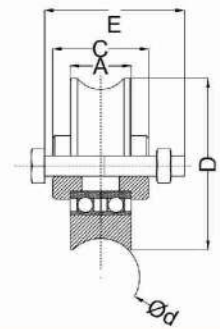
PRODUCT CODE	D mm	A	C	H	d	WEIGHT(g)	CAPACITY(kg)
AZ CN2U80 R20	78	25	33	12	20.5	821	200
AZ CN2U100 R20	98	25	33	13	20.5	1359	300

Sliding Gate Wheel with Bolt
(Single Bearing, U Groove)



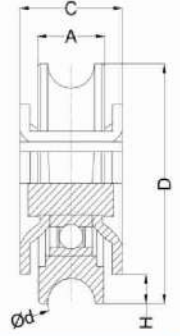
PRODUCT CODE	D mm	A	C	E	d	WEIGHT(g)	CAPACITY(kg)
AZ N1U60 R16	58	17	24	M10x55	16.5	294	125

Sliding Gate Wheel with Bolt
(Double Bearing, U Groove)



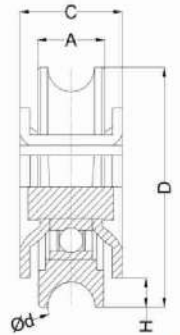
PRODUCT CODE	D mm	A	C	E	d	WEIGHT(g)	CAPACITY(kg)
AZ N2U80 R20	78	25	31	M10x55	20.5	645	200
AZ N2U100 R20	98	25	30	M14x70	20.5	1168	300
AZ N2U120 R20	118	30	42	M14x70	20.5	2122	400
AZ N2U160 R20	158	30	42	M14x70	20.5	4018	500
AZ N2U180 R20	178	30	42	M14x70	20.5	5236	600

Sliding Gate SS304 Wheel with Interior Bracket
(Single Bearing, U Groove)



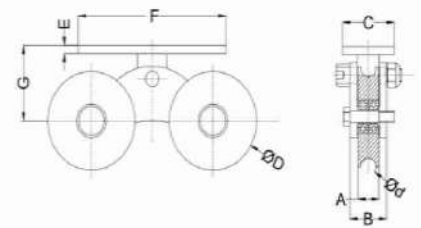
PRODUCT CODE	D mm	A	C	H	d	WEIGHT(g)	CAPACITY(kg)
AZ D1U60R16SS SS304	58	17	26	10	16.5	360	125
AZ D1U80R16SS SS304	78	20	32	13.5	16.5	672	200

Sliding Gate SS304 Wheel with Interior Bracket
(Double Bearing, U Groove)



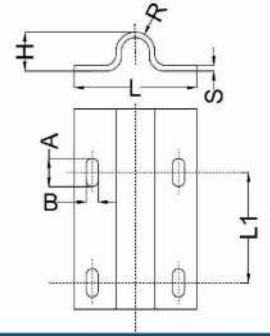
PRODUCT CODE	D mm	A	C	H	d	WEIGHT(g)	CAPACITY(kg)
AZ D2U100RS20SS SS304	98	25	33	13	20.5	1359	350

Sliding Gate Double Wheel with Drilled Fixing Plate



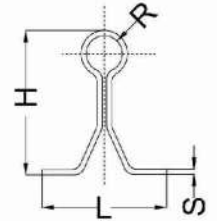
PRODUCT CODE	D mm	A	B	C	E	F	G	d	WEIGHT(g)	CAPACITY(kg)
AZ HL05A	118	28	50	70	10	200	90	20	7500	850

Sliding Gate Track
Drilled Surface Fixing
(U Groove)



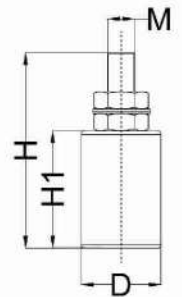
PRODUCT CODE	H mm	H	S	A x B	L1	R	WEIGHT(g)	CAPACITY(kg)
AZ TB16	55	15	3	11 x 6	300	16	1520	800
AZ TB20	55	15	3.5	11 x 6	300	20	1760	1000
AZ TSS20A SS304	55	15	3.5	11 x 6	300	20	1760	1750

Sliding Gate Track
Concreted Fixing
(U Shape)



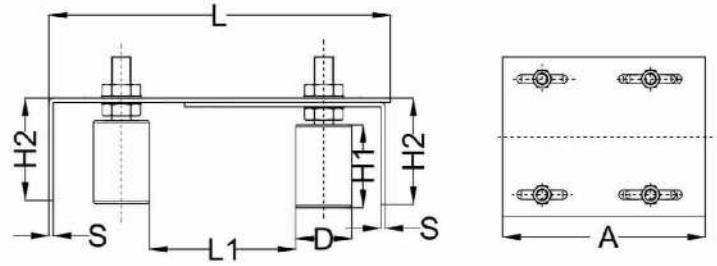
PRODUCT CODE	L mm	H	R	S	WEIGHT(g)	CAPACITY(kg)
AZ TW20	65	60	20	3.5	4370	1600

Nylon Roller
(with Bearings)



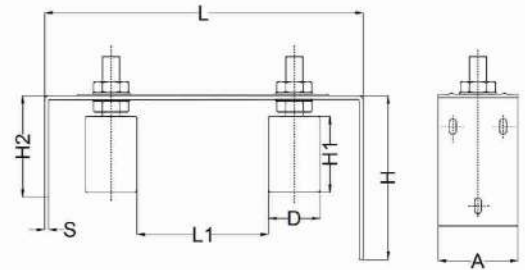
PRODUCT CODE	H mm	H1	M	H	WEIGHT(g)
AZ N50x60	50	60	M16	120	499
AZ N40x100	40	100	M16	135	474

Guide Bracket with
4 Nylon Roller



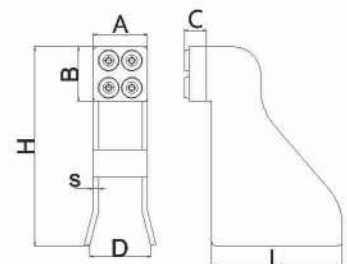
PRODUCT CODE	D mm	H1	A	H	L	L1	S	WEIGHT(g)
AZ GB9A	30	40	200	55	164-208	26-70	2.5	1740
AZ GB9C	40	44	350	68	176-260	19-103	4	5355

Guide Bracket with
2 Nylon Roller



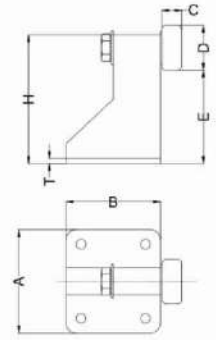
PRODUCT CODE	D mm	H1	A	H2	H	L	L1	S	WEIGHT(g)
AZ GB7C	40	44	68	65	100	200	45-89	4	1175

Gate Stopper without
Base Plate
(Large Rubber)



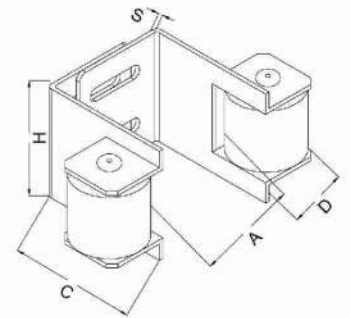
PRODUCT CODE	A	B	C	H	L	S	D	WEIGHT(g)
AZ MX17A	40	40	18	146	100	4	45	657

Gate Stopper with Base Plate (Small Rubber)



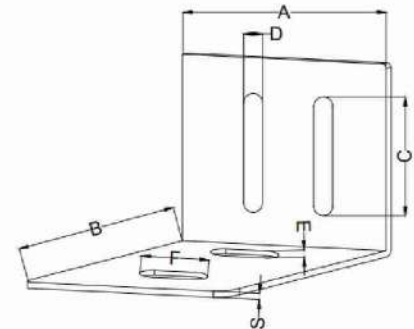
PRODUCT CODE	H mm	A x B	T	C	D	E	WEIGHT(g)
AZ X15A	130	95 x 105	5	20	45	46-93	1065.6

End Cap with Nylon Roller



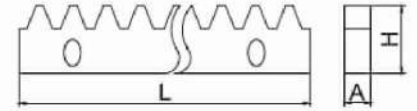
PRODUCT CODE	A mm	H	C	S	D	WEIGHT(g)
AZ EC4A	55-90	80	95	4	40	800

End Cap Bracket



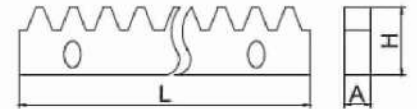
PRODUCT CODE	A mm	B	C	D	E	F	S	WEIGHT(g)
AZ ECL 17 A	130	120	70	10	10	40	5	1098

Steel Racks

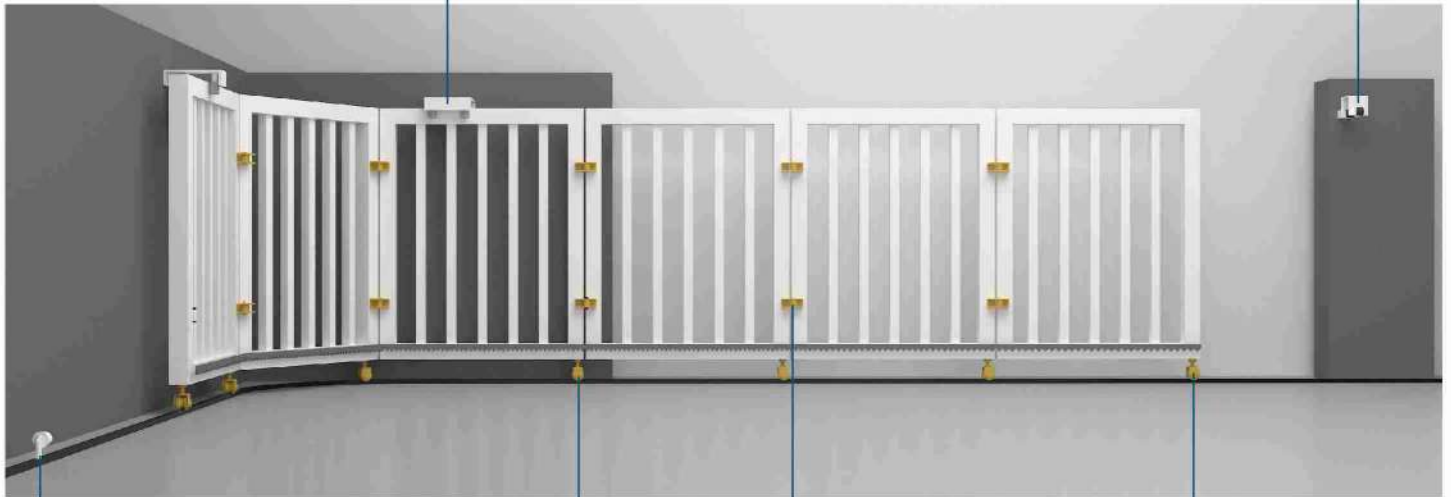


PRODUCT CODE	A	H	L	WEIGHT(g)
AZ R9MM	9	30	1000	1950
AZ R12MM	12	30	1000	2550
AZ R22MM	22	22	1000	3100
AZ R30MM	22	30	1000	5400

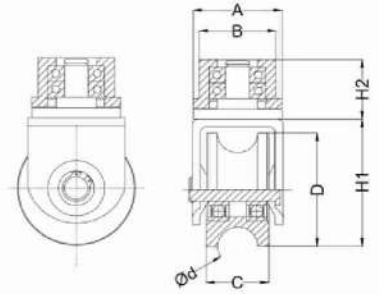
Nylon Racks



PRODUCT CODE	A	H	L	WEIGHT(g)
AZ NR25MM	20	95	1000	1300

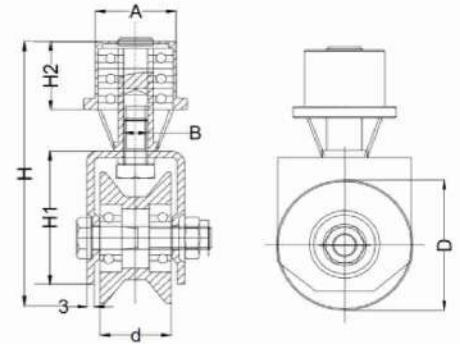


Rotating Double Bearing Wheel



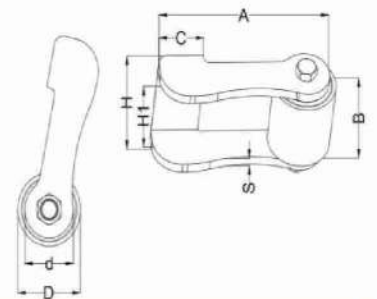
PRODUCT CODE	D mm	d	A	B	C	H1	H2	WEIGHT(g)
AZ RW2U60GIR20	58	20	51	47	31	66.5	30.5	933.8

Rotating Bearing Wheel with Spring



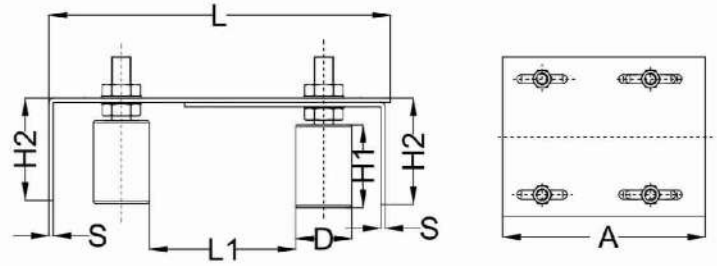
PRODUCT CODE	D mm	d	A	B	H	H1	H2	WEIGHT(g)
AZ RWU60R20GI	58	30	34	M10 x 25	115	59	30	739.2
AZ RWU60R20SS SS304	58	30	34	M10 x 25	115	59	30	733.4

Bi Folding Double Bearing Hinges



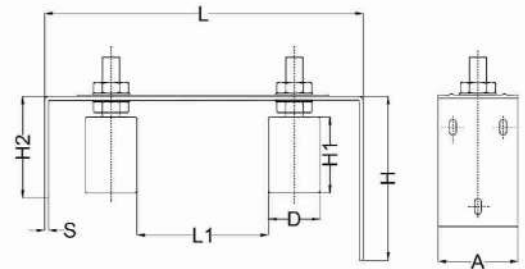
PRODUCT CODE	D mm	D	A	B	C	S	H	H1	WEIGHT(g)
AZ HM46GI	38	30	95	37	25	6	50	38	500
AZ HM47SS SS304	38	30	95	37	25	6	50	38	500

Guide Bracket with
4 Nylon Roller



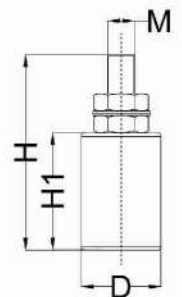
PRODUCT CODE	D mm	H1	A	H	L	L1	S	WEIGHT(g)
AZ GB9A	30	40	200	55	164-208	26-70	2.5	1740
AZ GB9C	40	44	350	68	176-260	19-103	4	5355

Guide Bracket with
2 Nylon Roller



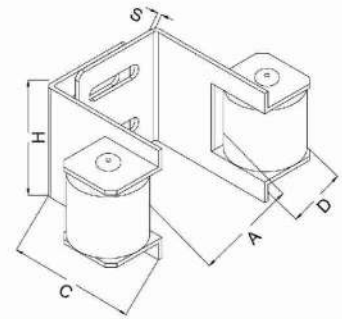
PRODUCT CODE	D mm	H1	A	H2	H	L	L1	S	WEIGHT(g)
AZ GB7C	40	44	68	65	100	200	45-89	4	1175

Nylon Roller
(with Bearings)



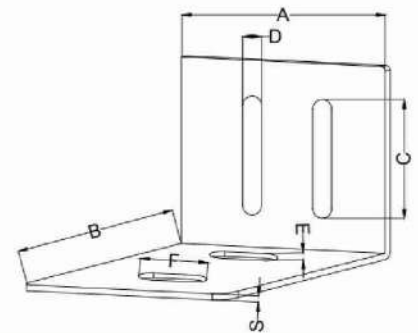
PRODUCT CODE	H mm	H1	M	H	WEIGHT(g)
AZ N50x60	50	60	M16	120	499
AZ N40x100	40	100	M16	135	474

End Cap with Nylon Roller



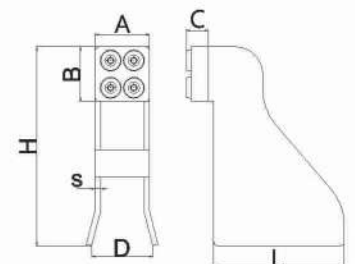
PRODUCT CODE	A mm	H	C	S	D	WEIGHT(g)
AZ EC4A	55-90	80	95	4	40	800

End Cap Bracket



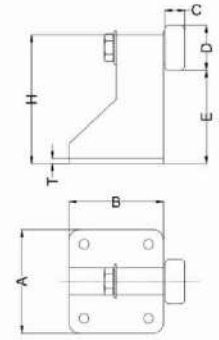
PRODUCT CODE	A mm	B	C	D	E	F	S	WEIGHT(g)
AZ ECL 17 A	130	120	70	10	10	40	5	1098

Gate Stopper without Base Plate (Large Rubber)



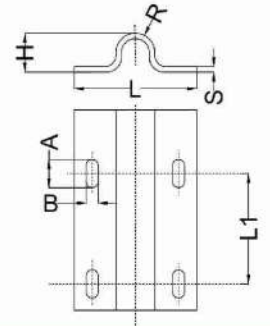
PRODUCT CODE	A	B	C	H	L	S	D	WEIGHT(g)
AZ MX17A	40	40	18	146	100	4	45	657

Gate Stopper with
Base Plate
(Small Rubber)



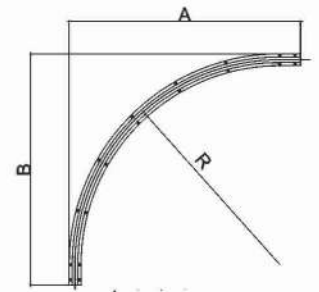
PRODUCT CODE	H mm	A x B	T	C	D	E	WEIGHT(g)
AZ X15A	130	95 x 105	5	20	45	46-93	1065.6

Sliding Gate Track
Drilled Surface Fixing
(U Groove)



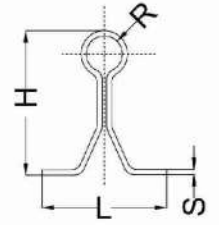
PRODUCT CODE	H mm	H	S	A x B	L1	R	WEIGHT(g)	CAPACITY(kg)
AZ TB16	55	15	3	11 x 6	300	16	1520	800
AZ TB20	55	15	3.5	11 x 6	300	20	1760	1000
AZ TSS20A SS304	55	15	3.5	11 x 6	300	20	1760	1750

Sliding Curve Gate
Track Drilled Fixing
(U Groove)



PRODUCT CODE	A	B	R
AZ CTB20A	1129	1129	1000
AZ CTB20B	629	629	500

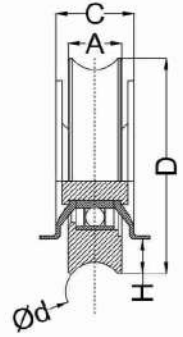
Sliding Gate Track
 Concreted Fixing
 (U Shape)



PRODUCT CODE	L mm	H	R	S	WEIGHT(g)	CAPACITY(kg)
AZTW20	65	60	20	3.5	3446	1600

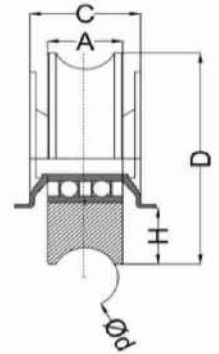


Sliding Gate Wheel
with Double Plates
(Single Bearing, U Groove)



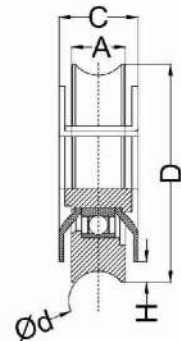
PRODUCT CODE	D mm	A	C	H	d	WEIGHT(g)	CAPACITY(kg)
AZ C1U60 R16	58	17	28	7	16.5	330	125

Sliding Gate Wheel
with Double Plates
(Double Bearing, U Groove)



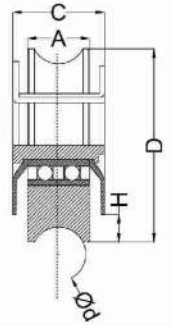
PRODUCT CODE	D mm	A	C	H	d	WEIGHT(g)	CAPACITY(kg)
AZ C2U80 R20	78	25	37	16	20.5	737	200
AZ C2U100 R20	98	25	38	17	20.5	1339	300
AZ C2U120 R20	118	30	42	22	20.5	2412	400

Sliding Gate Wheel
with Interior Bracket
(Single Bearing, U Groove)



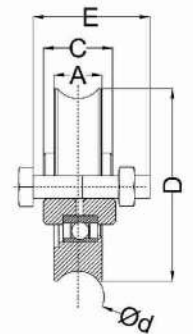
PRODUCT CODE	D mm	A	C	H	d	WEIGHT(g)	CAPACITY(kg)
AZ CN1U60 R16	58	17	26	10	16.5	360	125

Sliding Gate Wheel with Interior Bracket
(Double Bearing, U Groove)



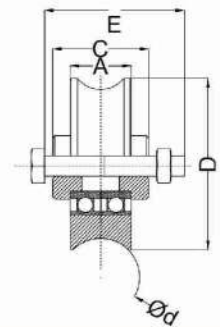
PRODUCT CODE	D mm	A	C	H	d	WEIGHT(g)	CAPACITY(kg)
AZ CN2U80 R20	78	25	33	12	20.5	821	200
AZ CN2U100 R20	98	25	33	13	20.5	1359	300

Sliding Gate Wheel with Bolt
(Single Bearing, U Groove)



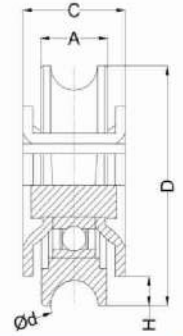
PRODUCT CODE	D mm	A	C	E	d	WEIGHT(g)	CAPACITY(kg)
AZ N1U60 R16	58	17	24	M10x55	16.5	294	125

Sliding Gate Wheel with Bolt
(Double Bearing, U Groove)



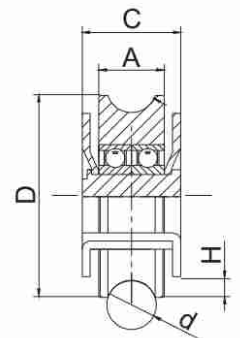
PRODUCT CODE	D mm	A	C	E	d	WEIGHT(g)	CAPACITY(kg)
AZ N2U80 R20	78	25	31	M10x55	20.5	645	200
AZ N2U100 R20	98	25	30	M14x70	20.5	1168	300
AZ N2U120 R20	118	30	42	M14x70	20.5	2122	400
AZ N2U160 R20	158	30	42	M14x70	20.5	4018	500
AZ N2U180 R20	178	30	42	M14x70	20.5	5236	600

Sliding Gate SS304 Wheel with Interior Bracket
(Single Bearing, U Groove)



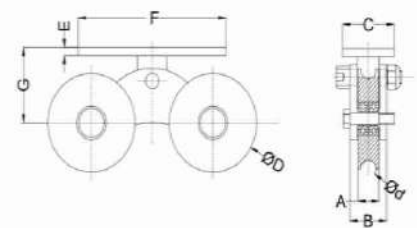
PRODUCT CODE	D mm	A	C	H	d	WEIGHT(g)	CAPACITY(kg)
AZ D1U60R16SS SS304	58	17	26	10	16.5	360	125
AZ D1U80R16SS SS304	78	20	32	13.5	16.5	672	200

Sliding Gate SS304 Wheel with Interior Bracket
(Double Bearing, U Groove)



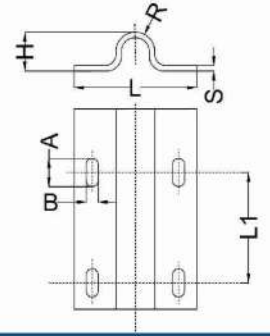
PRODUCT CODE	D mm	A	C	H	d	WEIGHT(g)	CAPACITY(kg)
AZ D2U100R20SS SS304	98	25	33	13	20.5	1359	350

Sliding Gate Double Wheel with Drilled Fixing Plate



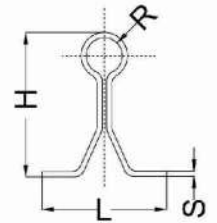
PRODUCT CODE	D mm	A	B	C	E	F	G	d	WEIGHT(g)	CAPACITY(kg)
AZ HL05A	118	28	50	70	10	200	90	20	7500	850

Sliding Gate Track
Drilled Surface Fixing
(U Groove)



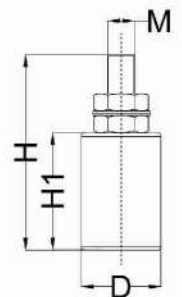
PRODUCT CODE	H mm	H	S	A x B	L1	R	WEIGHT(g)	CAPACITY(kg)
AZ TB16	55	15	3	11 x 6	300	16	1520	800
AZ TB20	55	15	3.5	11 x 6	300	20	1760	1000
AZ TSS20A SS304	55	15	3.5	11 x 6	300	20	1760	1750

Sliding Gate Track
Concreted Fixing
(U Shape)



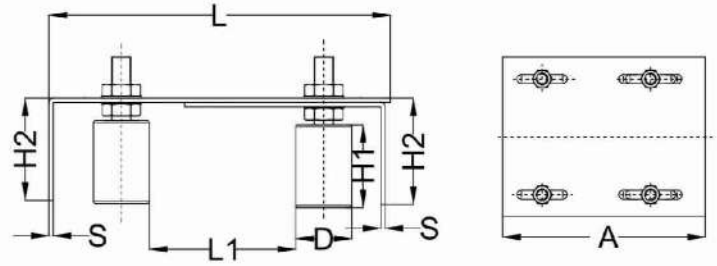
PRODUCT CODE	L mm	H	R	S	WEIGHT(g)	CAPACITY(kg)
AZ TW20	65	60	20	3.5	4370	1600

Nylon Roller
(with Bearings)



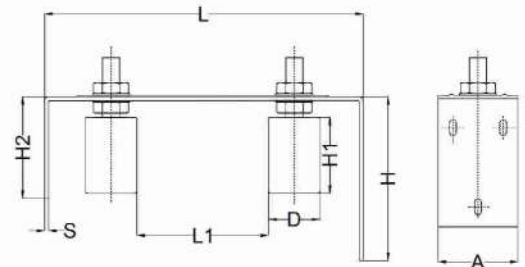
PRODUCT CODE	H mm	H1	M	H	WEIGHT(g)
AZ N50x60	50	60	M16	120	499
AZ N40x100	40	100	M16	135	474

Guide Bracket with
4 Nylon Roller



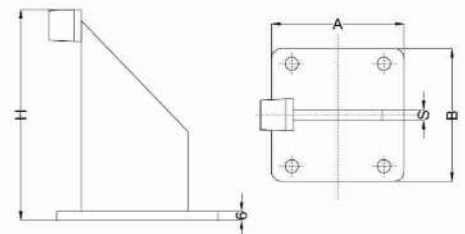
PRODUCT CODE	D mm	H1	A	H	L	L1	S	WEIGHT(g)
AZ GB9A	30	40	200	55	164-208	26-70	2.5	1740
AZ GB9C	40	44	350	68	176-260	19-103	4	5355

Guide Bracket with
2 Nylon Roller



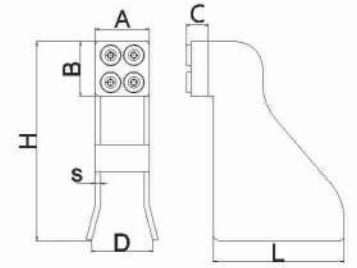
PRODUCT CODE	D mm	H1	A	H2	H	L	L1	S	WEIGHT(g)
AZ GB7C	40	44	68	65	100	200	45-89	4	1175

Gate Stopper with
Base Plate
(Small Rubber)



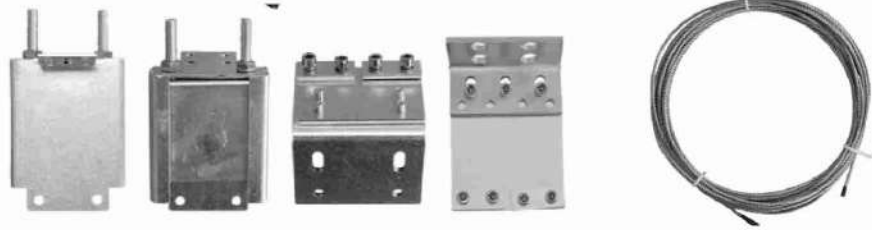
PRODUCT CODE	H mm	A x B	S	WEIGHT(g)
AZ GS2A	146	100 x 100	10	987

Gate Stopper without
Base Plate
(Large Rubber)



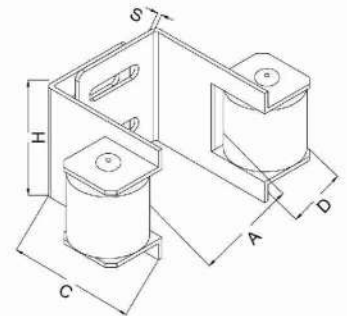
PRODUCT CODE	A	B	C	H	L	S	D	WEIGHT(g)
AZ MX17A	40	40	18	146	100	4	45	657

Telescopic Kit



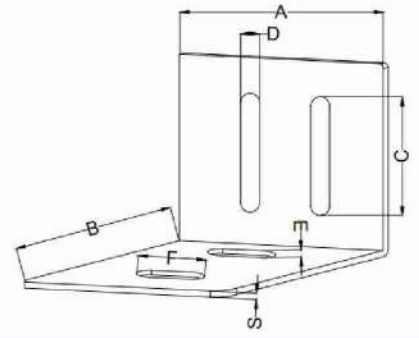
PRODUCT CODE	D mm	A	D	CAPACITY(kg)
AZ TELS01	65	4.5	4	250+250
AZ TELS02	125	6.5	6	400+400
AZ TELS03	175	8.5	8	600+600
AZ TELS04	150	8.5	8	500+500

End Cap with
Nylon Roller

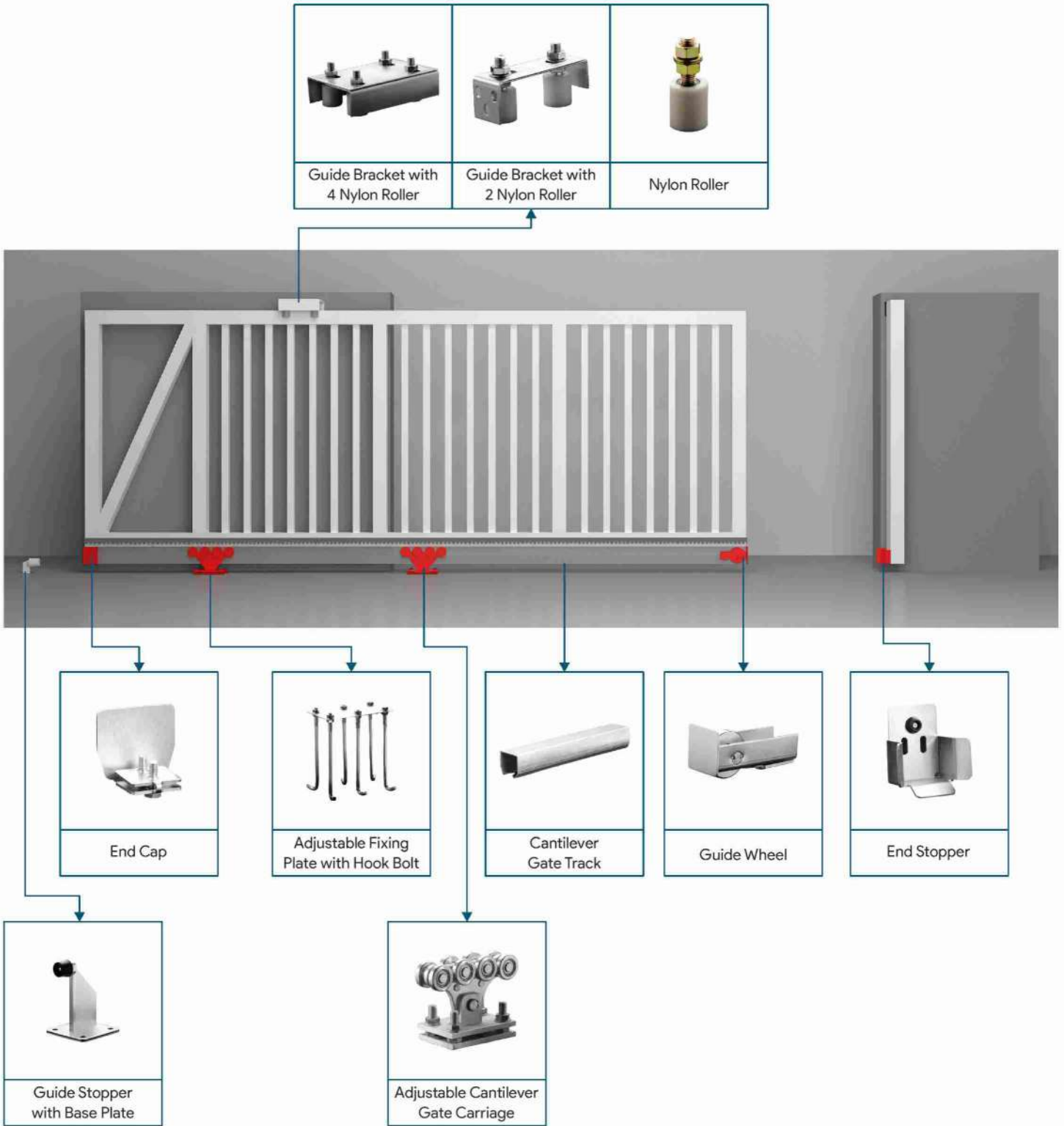


PRODUCT CODE	A mm	H	C	S	D	WEIGHT(g)
AZ EC4A	55-90	80	95	4	40	800

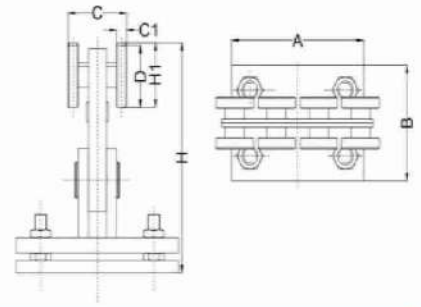
End Cap
Bracket



PRODUCT CODE	A mm	B	C	D	E	F	S	WEIGHT(g)
AZ ECL 17 A	130	120	70	10	10	40	5	1098

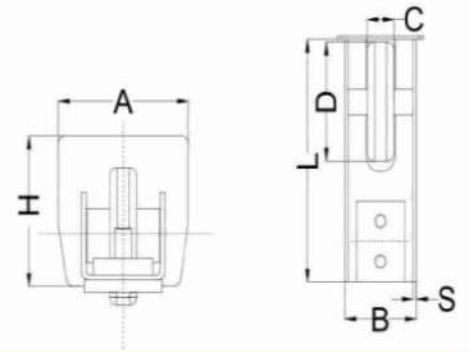
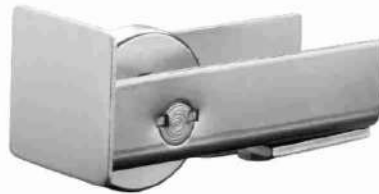


Adjustable Cantilever
Gate Carriage
(8 Small Wheels & 8 Medium Wheels)



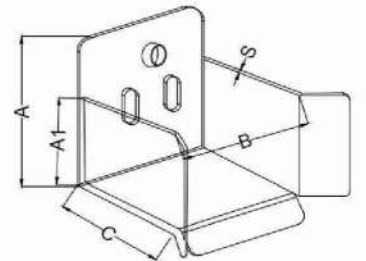
PRODUCT CODE	D mm	C	C1	A	B	H	H1	WEIGHT(g)	CAPACITY(kg)
AZ CA8SS1	48	72	15	150	100	155-175	51.5	5200	400
AZ CA8MS2	68	72	15	150	100	190-210	74	1008	700

Guide Wheel
(for 8 Small Wheels &
8 Medium Wheels)



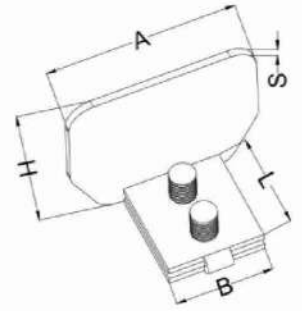
PRODUCT CODE	D mm	C	A	H	B	L	S	WEIGHT(g)
AZ T8S6M1	68	15	70	60	51	140	3	987
AZ T8M6M2	74	15	94	85	72	140	3	1250

End Stopper
(for 5/8 Small Wheels &
8 Medium Wheels)



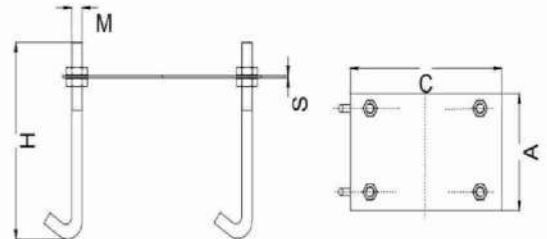
PRODUCT CODE	A mm	A1	B	C	S	WEIGHT(g)
AZ ES8S1	130	80	82	74	4	1060
AZ ES8M2	168	102	108	79	4	1539

End Cap
(for 8 Small Wheels &
8 Medium Wheels)



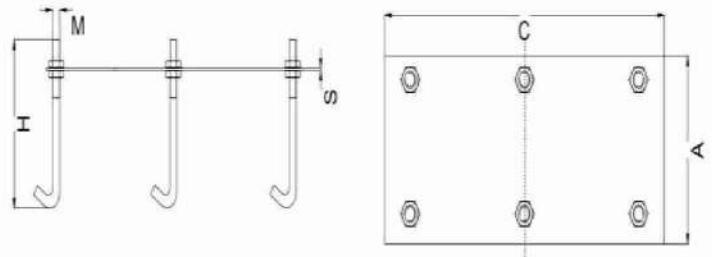
PRODUCT CODE	A mm	H	B	L	S	WEIGHT(g)
AZ GR8S1	70	60	45	40	3	200
AZ GR8M2	94	83	55	40	3	304

Adjustable Fixing Plate with
Hook Bolt
(for 8 Small Wheels)



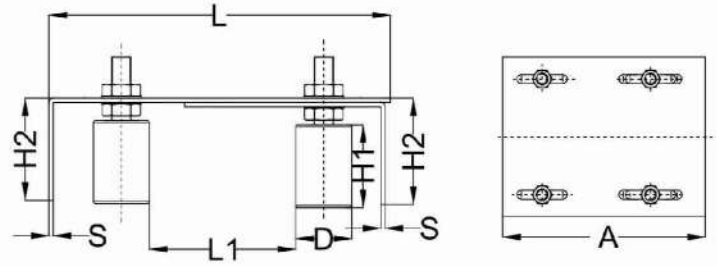
PRODUCT CODE	A mm	C	M	H	S	WEIGHT(g)
AZ EC8S1	140	190	M16	333	2	2530

Adjustable Fixing Plate with
Hook Bolt
(for 8 Small Wheels)



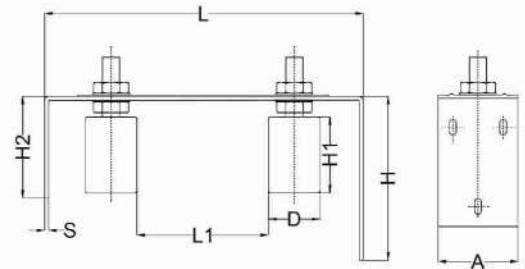
PRODUCT CODE	A mm	C	M	H	S	WEIGHT(g)
AZ EC8M2	150	300	M16	333	2	3875

Guide Bracket with
4 Nylon Roller



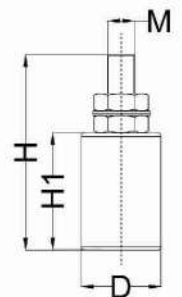
PRODUCT CODE	D mm	H1	A	H	L	L1	S	WEIGHT(g)
AZ GB9A	30	40	200	55	164-208	26-70	2.5	1740
AZ GB9C	40	44	350	68	176-260	19-103	4	5355

Guide Bracket with
2 Nylon Roller



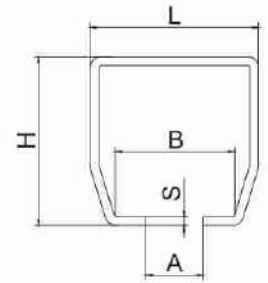
PRODUCT CODE	D mm	H1	A	H2	H	L	L1	S	WEIGHT(g)
AZ GB7C	40	44	68	65	100	200	45-89	4	1175

Nylon Roller
(with Bearings)



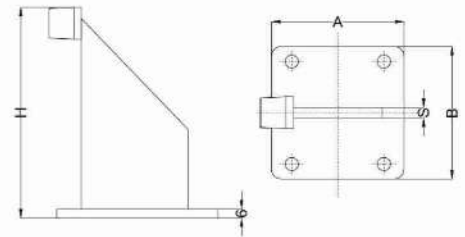
PRODUCT CODE	H mm	H1	M	H	WEIGHT(g)
AZ N50x60	50	60	M16	120	499
AZ N40x100	40	100	M16	135	474

Cantilever Gate Track
(for 8 Small Wheels &
8 Medium Wheels)



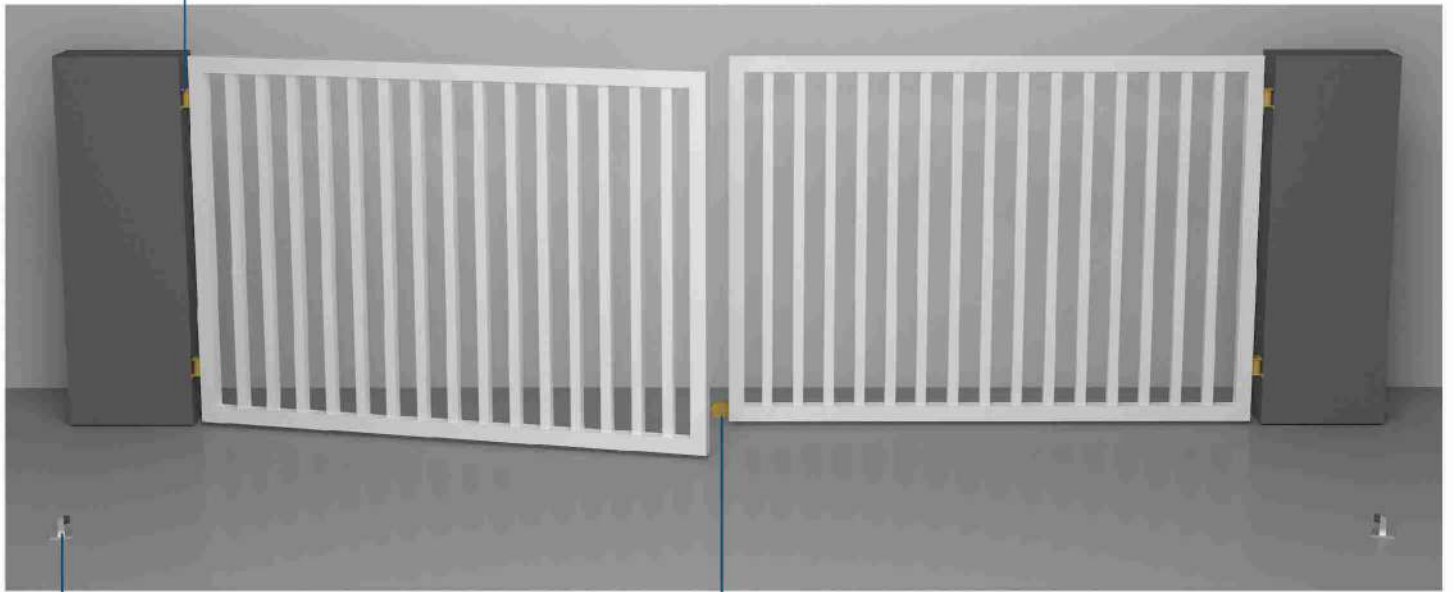
PRODUCT CODE	L mm	H	A	B	S	WEIGHT(g)
AZ XG8S 6m	70	59	22	50	3.5	5700
AZ XG8M 6m	94	85	33	71	5	11300

Guide Stopper with
Base Plate
(Small Rubber)





PRODUCT CODE	H mm	A x B	S	WEIGHT(g)
AZ GS2A	146	100 x 100	10	987

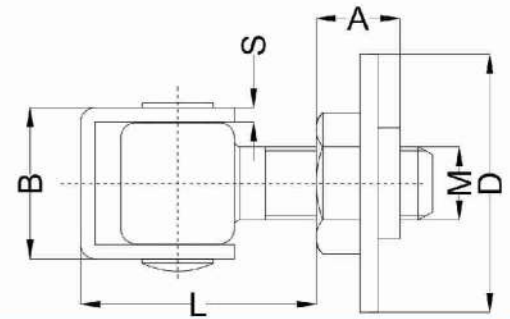
			
Adjustable Hinges with Round plat	Adjustable Hinges with Square plate	Pivot Hinges with Roller Bearing	Hinges with Double Bearing



		
Guide Stopper with Base Plate	Gate Stopper without Base Plate	Guide Stopper with Base Plate

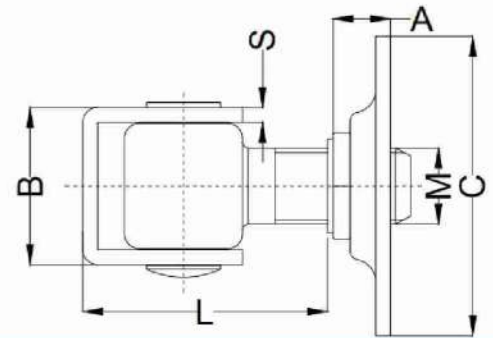
	
Stopper with Base Plate	Gate Rubber Stopper

Adjustable Gate Hings with Round Plate



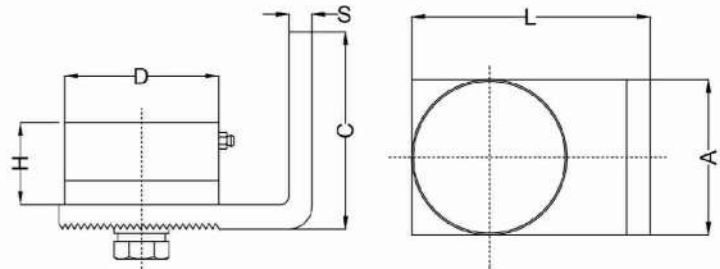
PRODUCT CODE	M mm	L	A	B	D	S	WEIGHT(g)	CAPACITY(kg)
AZ JH2C	M20	44-66	17	43	50	6	479	200

Adjustable Gate Hinges with Square Plate



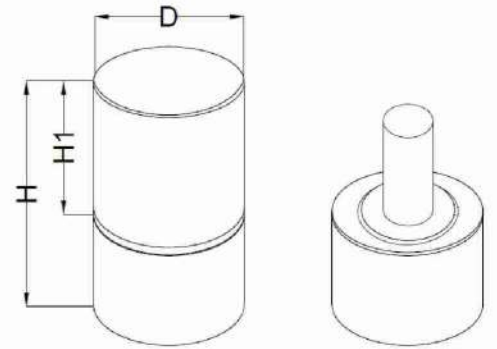
PRODUCT CODE	M mm	L	A	B	D	S	WEIGHT(g)	CAPACITY(kg)
AZ SH3C	M20	44-65	20	40	100 x 100	6	715	200

Pivot Hinges with Roller Bearing



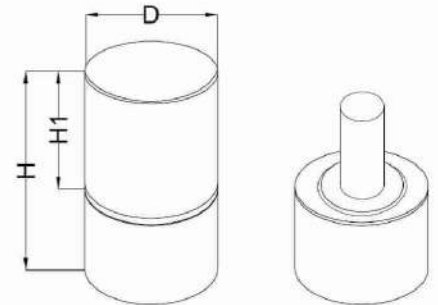
PRODUCT CODE	D mm	H	A	C	L	S	WEIGHT(g)	CAPACITY(kg)
AZ BH13A	50	36	50	70	83	8	843	300
AZ BH13B	70	36	60	80	103	10	1750	500

Hinges with
Cone Core Pin



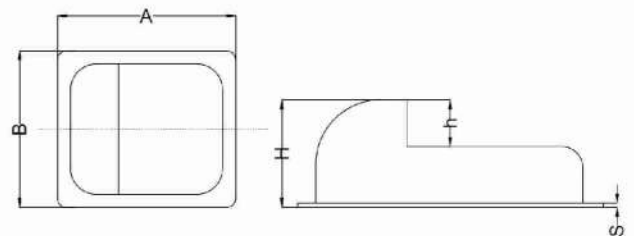
PRODUCT CODE	D mm	H	H1	WEIGHT(g)	CAPACITY(kg)
AZ H50GI	55	150	73	800	500

Hinges with
Double Bearing



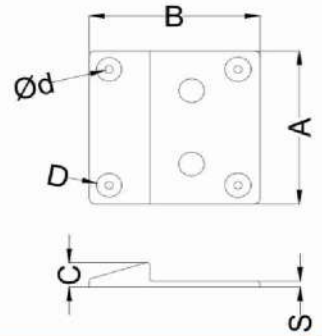
PRODUCT CODE	D mm	H	H1	WEIGHT(g)	CAPACITY(kg)
AZ H44GI	45	72	40	800	300
AZ H45SS SS304	45	72	40	800	300

Gate Stopper with
Base Plate for
Two Leaf Gate



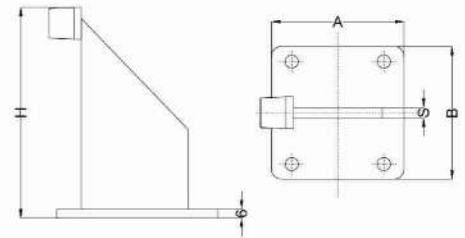
PRODUCT CODE	H mm	A x B	H	S	WEIGHT(g)
AZ GS5B	50	158 x 138	26	2	470

Guide Rubber
Stopper



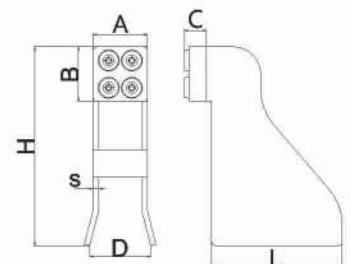
PRODUCT CODE	A x B mm	S	d	D	C	WEIGHT(g)
AZ SWRS 234	125 x 150	14.5	9	24.5	43	1200

Gate Stopper with
Base Plate
(Small Rubber)



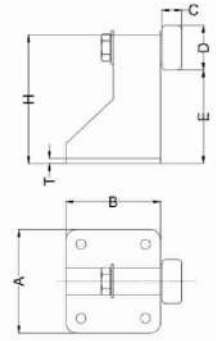
PRODUCT CODE	H mm	A x B	S	WEIGHT(g)
AZ GS2A	146	100 x 100	10	987

Gate Stopper without
Base Plate
(Large Rubber)



PRODUCT CODE	A	B	C	H	L	S	D	WEIGHT(g)
AZ MX17A	40	40	18	146	100	4	45	657

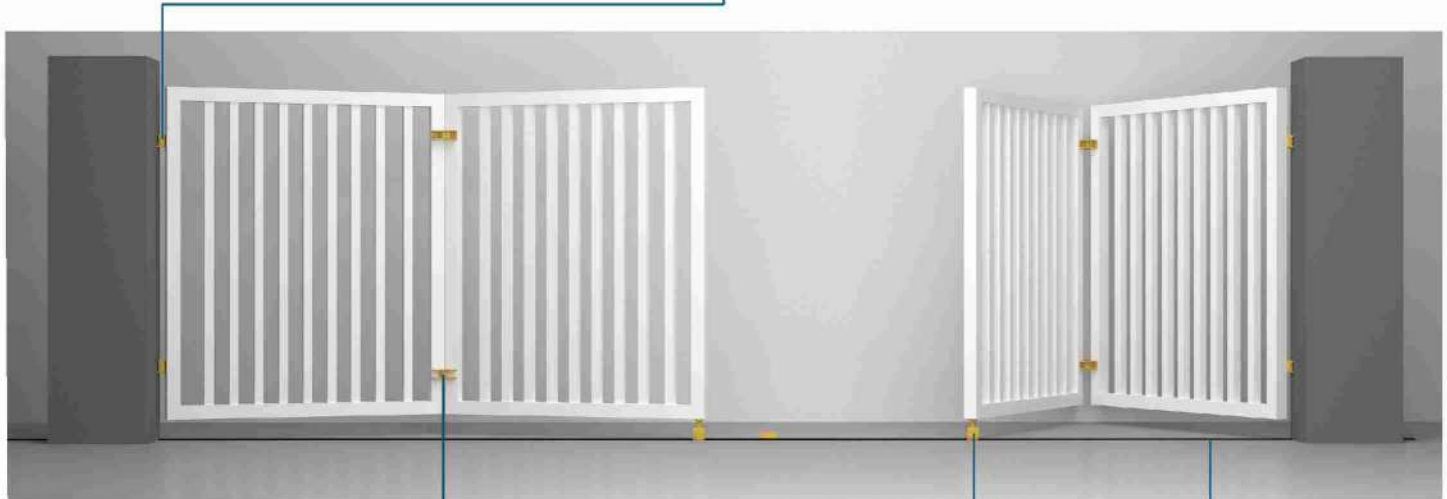
Gate Stopper with
Base Plate
(Small Rubber)



PRODUCT CODE	H mm	A x B	T	C	D	E	WEIGHT(g)
AZ X15A	130	95 x 105	5	20	45	46-93	1065.6



			
Adjustable Hinges with Round plat	Adjustable Hinges with Square plate	Pivot Hinges with Roller Bearing	Hinges with Double Bearing

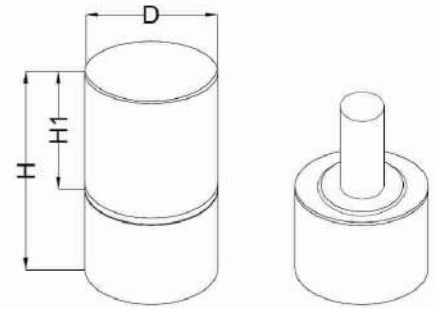


	
Bi Folding Double Bearing Hinges	SS Bi Folding Double Bearing Hinges

	
Concreted Fixing	Drilled Surface Fixing

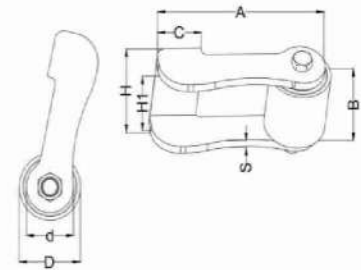
	
Rotating Double Bearing Wheel	Rotating Bearing Wheel with Spring

Hinges with Double Bearing



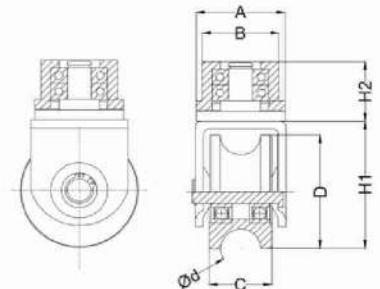
PRODUCT CODE	D mm	H	H1	WEIGHT(g)	CAPACITY(kg)
AZ H44GI	45	72	40	800	300
AZ H45SS SS304	45	72	40	800	300

Bi Folding Double Bearing Hinges



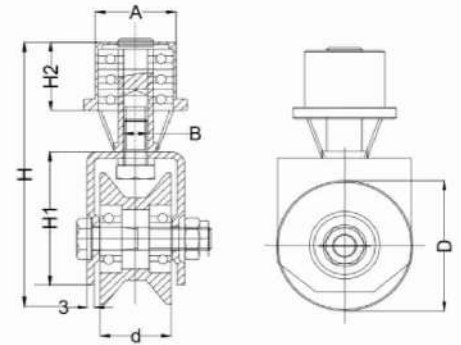
PRODUCT CODE	D mm	d	A	B	C	S	H	H1	WEIGHT(g)
AZ HM46GI	38	30	40	37	25	6	50	38	500
AZ HM47SS SS304	38	30	40	37	25	6	50	38	500

Rotating Double Bearing Wheel



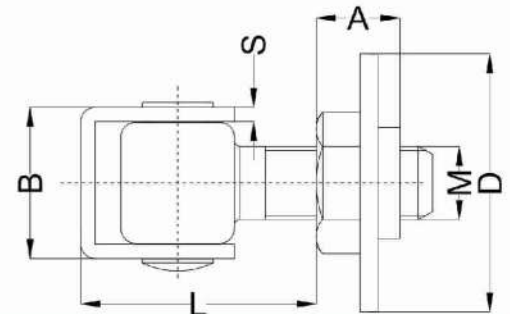
PRODUCT CODE	D mm	d	A	B	C	H1	H2	WEIGHT(g)
AZ RW2U60GIR20	58	20	51	47	31	66.5	30.5	933.8

Rotating Bearing Wheel with Spring



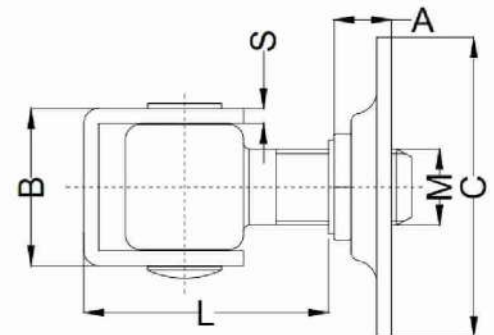
PRODUCT CODE	D mm	d	A	B	H	H1	H2	WEIGHT(g)
AZ RWU60R20GI	58	30	34	M10 x 25	107.5	115	30	739.2
AZ RWU60R20SS SS304	58	30	34	M10 x 25	107.5	115	30	733.4

Adjustable Gate Hings with Round Plate



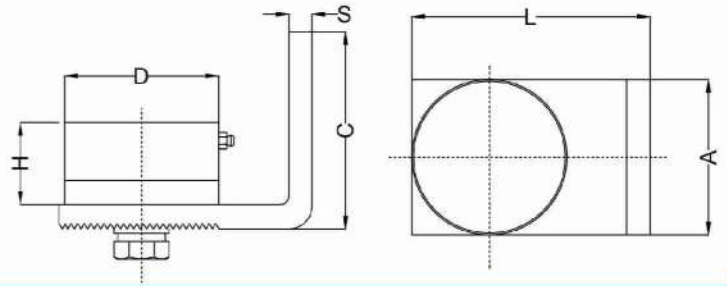
PRODUCT CODE	M mm	L	A	B	D	S	WEIGHT(g)	CAPACITY(kg)
AZ JH2C	M20	44-66	17	36	50	5	418	200

Adjustable Gate Hinges with Square Plate



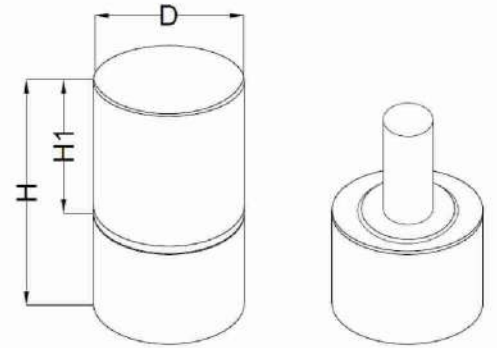
PRODUCT CODE	M mm	L	A	B	D	S	WEIGHT(g)	CAPACITY(kg)
AZ SH3C	M20	44-65	20	36	100 x 100	5	678	200

Pivot Hinges with Roller Bearing



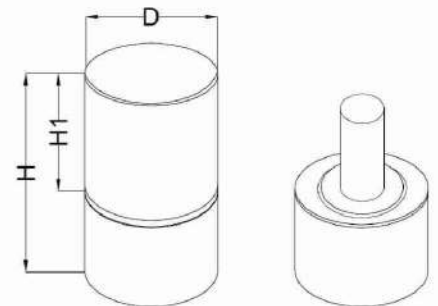
PRODUCT CODE	D mm	H	A	C	L	S	WEIGHT(g)	CAPACITY(kg)
AZ BH13A	50	36	50	70	83	8	843	300
AZ BH13B	70	36	60	80	103	10	1750	500

Hinges with Cone Core Pin



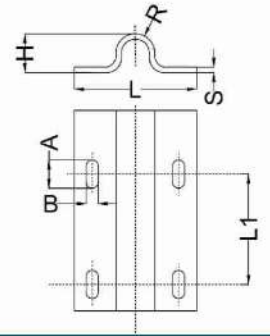
PRODUCT CODE	D mm	H	H1	WEIGHT(g)	CAPACITY(kg)
AZ H50GI	55	150	73	800	500

Hinges with Double Bearing



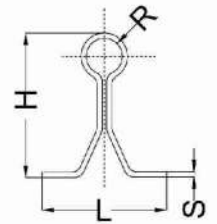
PRODUCT CODE	D mm	H	H1	WEIGHT(g)	CAPACITY(kg)
AZ H44GI	45	72	40	800	300
AZ H45SS SS304	45	72	40	800	300

Sliding Gate Track
Drilled Surface Fixing
(U Groove)

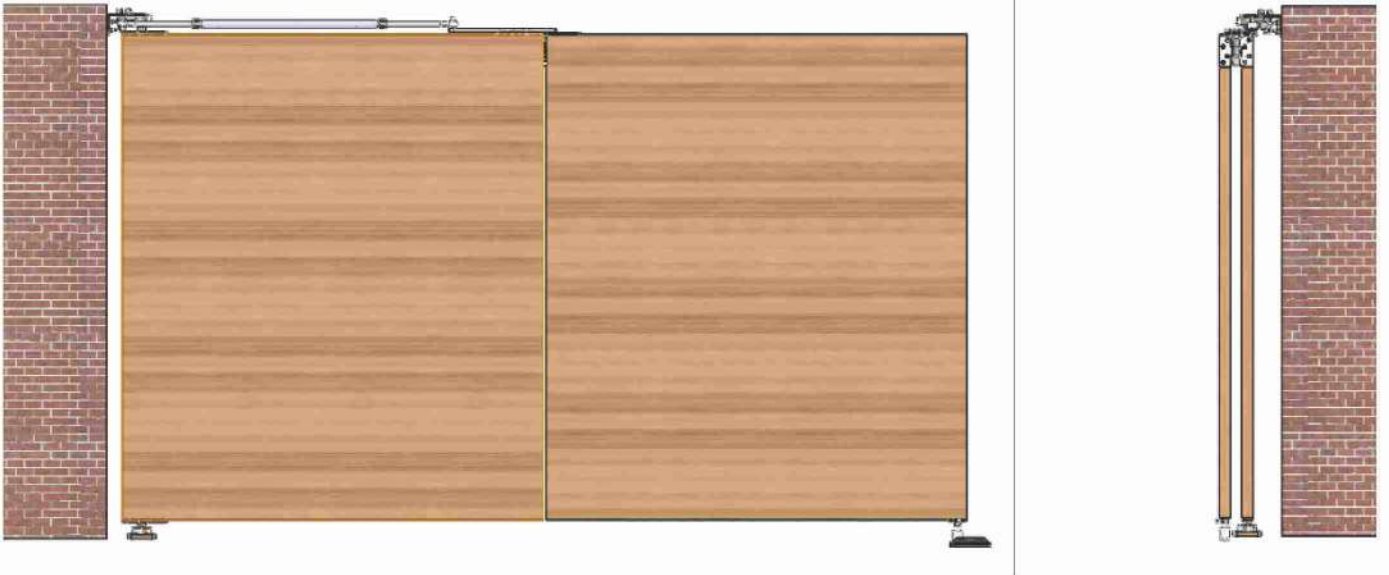


PRODUCT CODE	H mm	H	S	A x B	L1	R	WEIGHT(g)	CAPACITY(kg)
AZ TB16	55	15	3	11 x 6	300	16	1520	800
AZ TB20	55	15	3.5	11 x 6	300	20	1760	1000
AZ TSS20A SS304	55	15	3.5	11 x 6	300	20	1760	1750

Sliding Gate Track
Concreted Fixing
(U Shape)



PRODUCT CODE	L mm	H	R	S	WEIGHT(g)	CAPACITY(kg)
AZ TW20	65	60	20	3.5	4370	1600

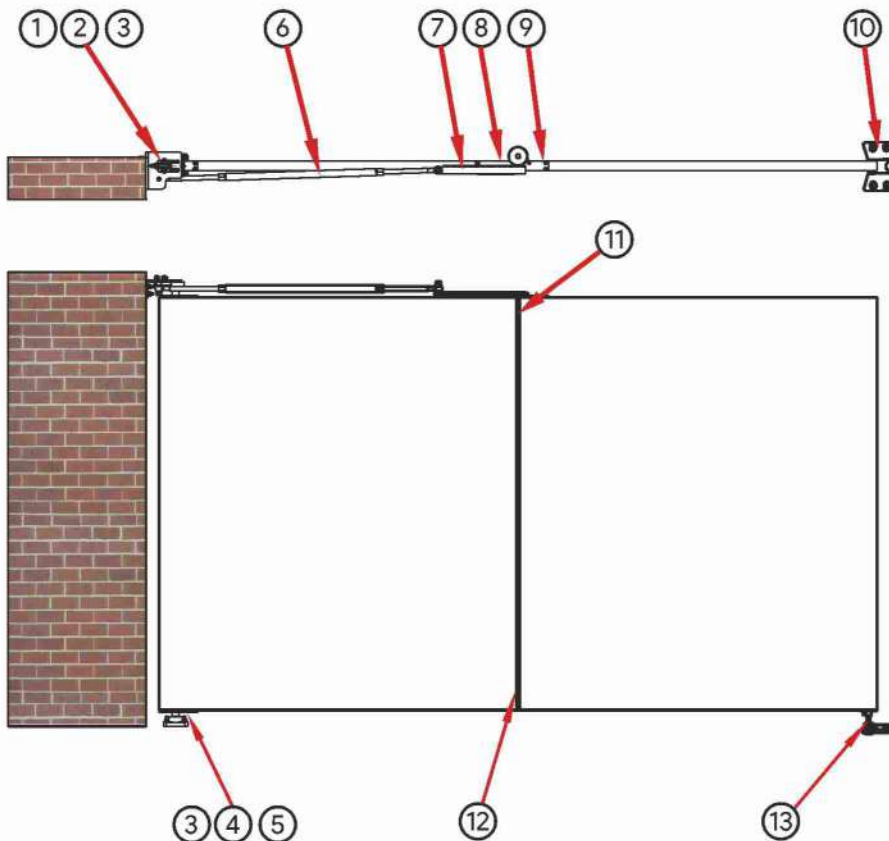


CAPACITY:

Maximum Clear Opening Width - 6 Meter (2+2+2+2 Meter)

Maximum Gate Weight - 150+150+150+150 = 600 Kg

Maximum Per Leaf Weight - 150 Kg



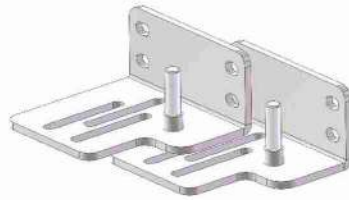


TRACKLESS BI-FOLDING GATE HARDWARE

AUTOZON®



1 Top Hinge base



2 Bracket for top hinge



3 Fixing base of Top & Bottom hinge



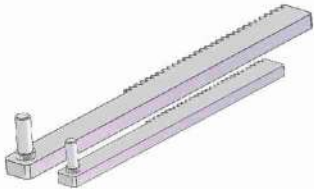
4 Bottom hinge base



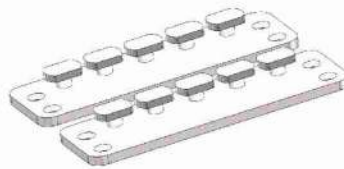
5 Protective gaskets



6 Pull Rod



7 Gear Rack



8 Fixing base of Gear Rack



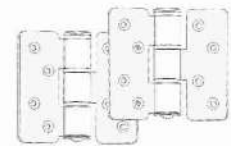
9 Connecting Rod



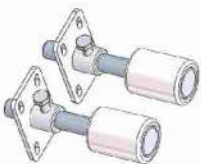
10 Rubber Stopper



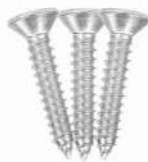
11 Upper secondary screw to screw hinge



12 Below secondary screw to screw hinge



13 Guide wheel



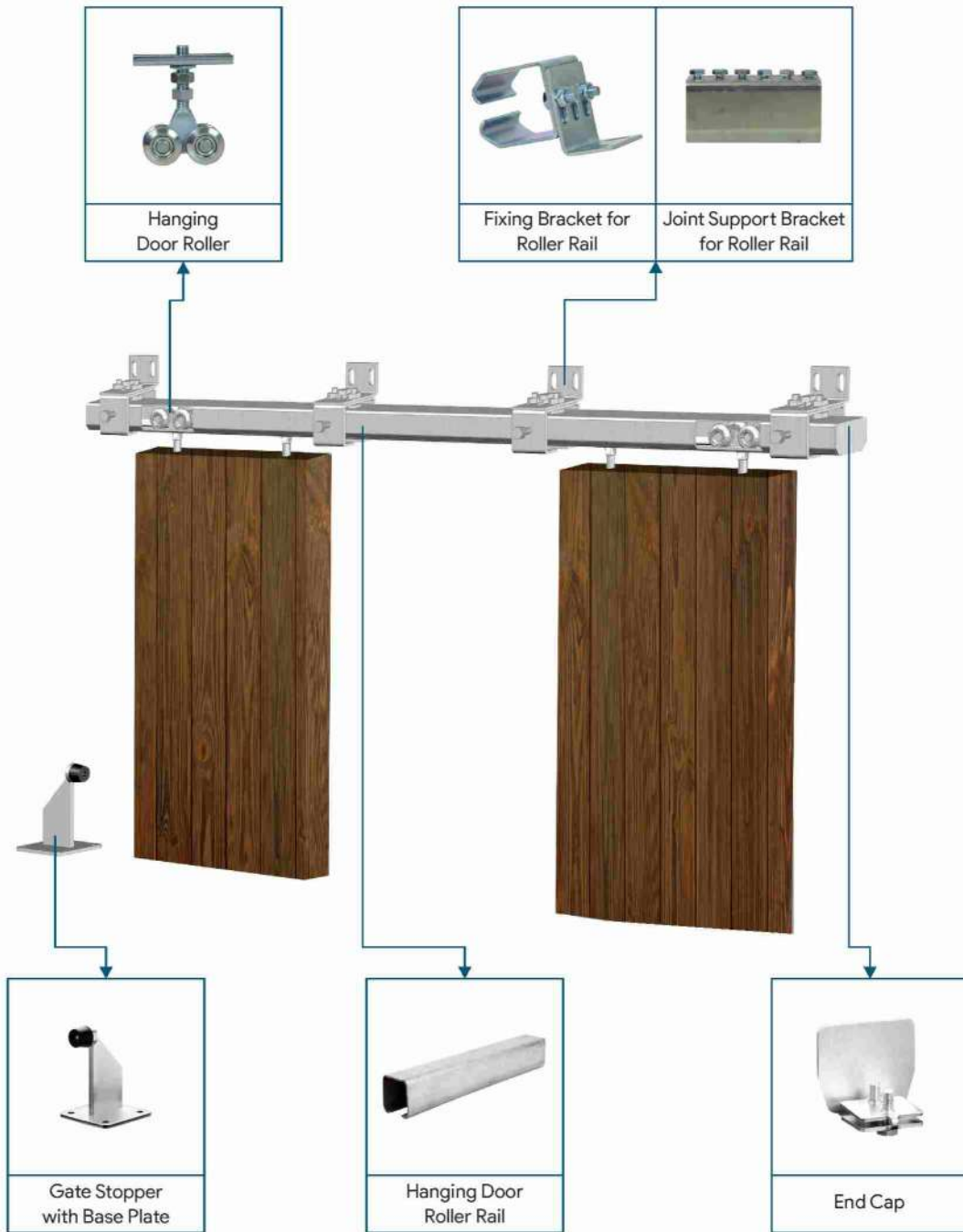
Cross countersunk head tapping screws



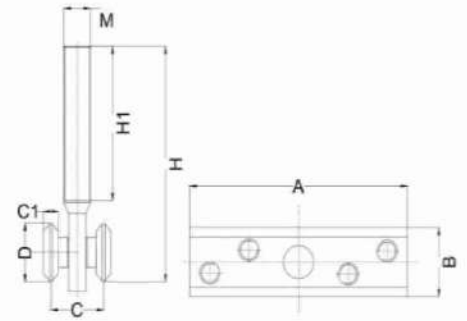
Stainless screw



Floor expansion bolt

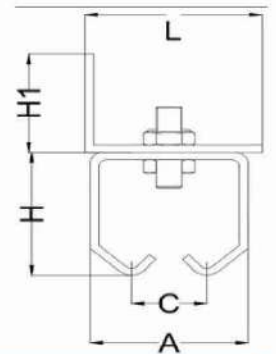
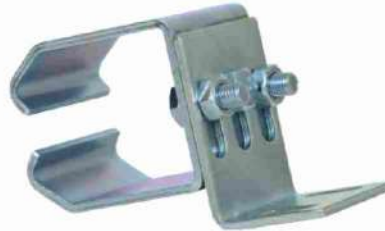


Hanging Door Roller
(4 Roller, Forge Centre Plate)



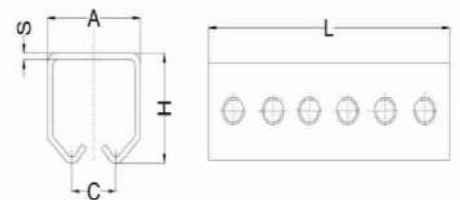
PRODUCT CODE	D mm	C	C1	H	H1	M	A	B	WEIGHT(g)
AZ HD3C	55	34	11	167	87	M20	140	45	1519

Fixing Bracket for
Hanging Door Roller Rail
(Wall Fixing)



PRODUCT CODE	L mm	H1	A	C	H	S	WEIGHT(g)
AZ HD5C	80	50	72	34	85	4	730

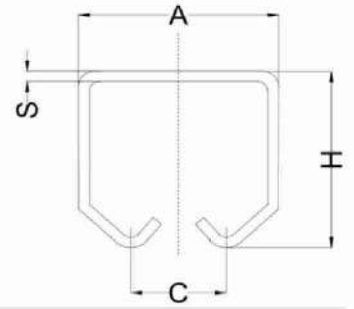
Joint Support Bracket for
hanging Door Roller Rail



PRODUCT CODE	L mm	H	A	C	S	WEIGHT(g)
AZ HDIC	159	79	71	34	4	1367

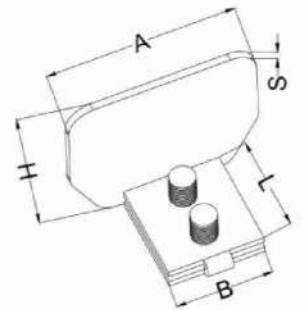


Hanging Door Roller Rail



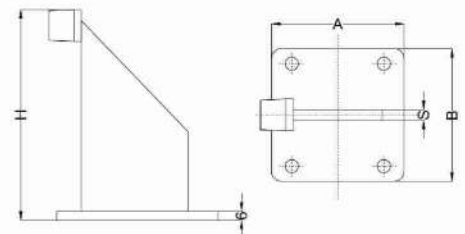
PRODUCT CODE	A mm	H	C	S	WEIGHT(g)
AZ HDTIC	60	67	34	2	3550

End Cap
(for 8 Small Wheels & 8 Medium Wheels)



PRODUCT CODE	A mm	H	B	L	S	WEIGHT(g)
AZ GR8S1	70	60	45	40	3	200
AZ GR8M2	94	83	55	40	3	304

Gate Stopper with Base Plate
(Small Rubber)



PRODUCT CODE	H mm	A x B	S	WEIGHT(g)
AZ GS2A	146	100 x 100	10	987

AUTOZON®

ENTRANCE AUTOMATION

Our Range of Products:



SLIDING GATE OPERATOR



SWING GATE OPERATOR



SLIDING DOOR OPERATOR



SWING DOOR OPERATOR



CURTAIN OPERATOR



BLINDS OPERATOR



BOOM BARRIER



GARAGE DOOR & OPERATOR



ROLLING SHUTTER & OPERATOR



HIGH SPEED DOOR & OPERATOR



SECTIONAL DOOR & OPERATOR



RETRACTABLE GATE



BOLLARD



DOCK LEVELLER



GATE HARDWARES



ACCESSORIES

Applications:



RESIDENTIAL



INSTITUTION



PUBLIC PARKING



HOSPITAL



HOTEL



MALL



BUSINESS CENTER



WAREHOUSE



INDUSTRY

Corporate Office:

#308/1A, Rajeev Gandhi Road
Ganapathy, Coimbatore - 641 006
Tamil Nadu, INDIA

Chennai Branch Office:

No.3/14, 1st Cross Street, 1st Main Road,
Kalaimagal Nagar, Ekkatuthangal,
Chennai - 600032, Tamil Nadu, INDIA

Contact:

T : +91 75980 16000
M : +91 97872 55518

Contact:

T : 044 47100570
M : +91 9994929764



For more details:

Visit: www.autozonind.com | Email: info@autozonind.com

Sales & Service Network

Andhra Pradesh, Arunachal Pradesh, Assam, Bihar, Chhattisgarh, Goa, Gujarat, Haryana, Himachal Pradesh, Jharkhand, Karnataka, Kerala, Madhya Pradesh, Maharashtra, Manipur, Meghalaya, Mizoram, Nagaland, Odisha, Punjab, Rajasthan, Sikkim, Tamil Nadu, Telangana, Tripura, Uttar Pradesh, Uttarakhand, West Bengal



follow us on: [f](#) autozonind [@](#) autozonind [t](#) autozonind [c](#) autozonind