





**CURTAIN OPERATOR**  
**AZCO3.2 / AZCO5.2 / AZCO7.2**

**AUTOZON®**



**TRANSMITTER:**



AZ COSC29  
SINGLE CHANNEL  
TRANSMITTER



AZ CODC 26  
TWO CHANNEL  
TRANSMITTER



AZ COMC 27  
MULTI CHANNEL  
TRANSMITTER



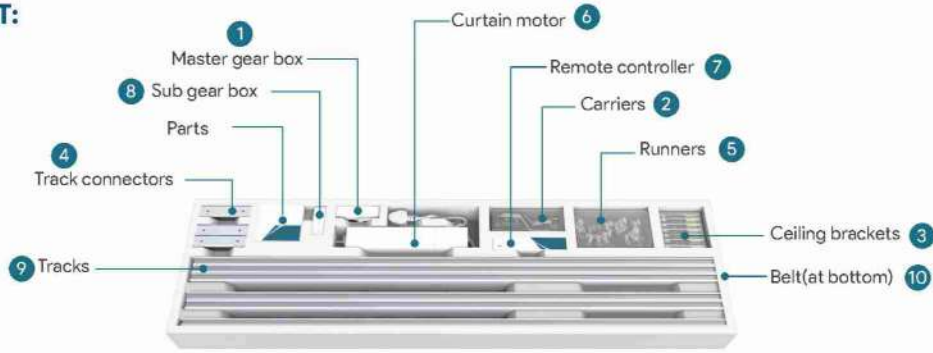
AZ COWM 28  
WALL MOUNT  
TRANSMITTER

**PRODUCT DESCRIPTION:**

- o Manual start: Pull curtain about 10cm by hand, curtain will open or close automatically
- o Manual operation is enable in the absence of power supply
- o Middle position set: Stop location can be set at the middle for better lighting
- o Multiple controls: Remote control ,switch, or smart remote control used accordingly.
- o Automatically set memory running point: After powering off, the motor will set running point for opening and closing again when power on.
- o Customized track length: DIY design, get any length needed.



**SMART CURTAIN KIT:**



**TECHNICAL SPECIFICATION:**



**NORMAL POWER MOTOR - AZ CO 1.2 Nm 5W**

Rated Torque : 1.2 Nm  
Rated Voltage : 220 V - 240 V AC  
Rated Power : 40 W  
Max Load : 50 Kg  
Remote Distance : >50m  
Protection Class : IP 20



**HIGH POWER MOTOR - AZ CO 2 Nm 5W**

Rated Torque : 2 Nm  
Rated Voltage : 220 V - 240 V AC  
Rated Power : 80 W  
Max Load : 120 Kg  
Remote Distance : >50m  
Protection Class : IP 20



**TUYA MOTOR - AZ CO TUYA 30**

Rated Torque : 1.2 Nm  
Rated Voltage : 220 V - 240 V AC  
Rated Power : 40 W  
Max Load : 50 Kg  
Remote Distance : >50m  
Protection Class : IP 20



**ACCESSORIES:**



AZ CO SWO2  
Single Track  
Wall Clamp



AZ CO 9006  
90° Track



AZ CO DWO3  
Double Track  
Wall Clamp



AZ CO 135 31  
135° Track

**PRODUCT FEATURES:**



WIRELESS  
REMOTE



SUPER  
SILENT



SMOOTH  
RUNNING



RADIO  
CONTROL



MANUAL  
OPERATION



LARGE  
LOAD



ASSEMBLED  
FAST



HIGH  
TECHNOLOGY

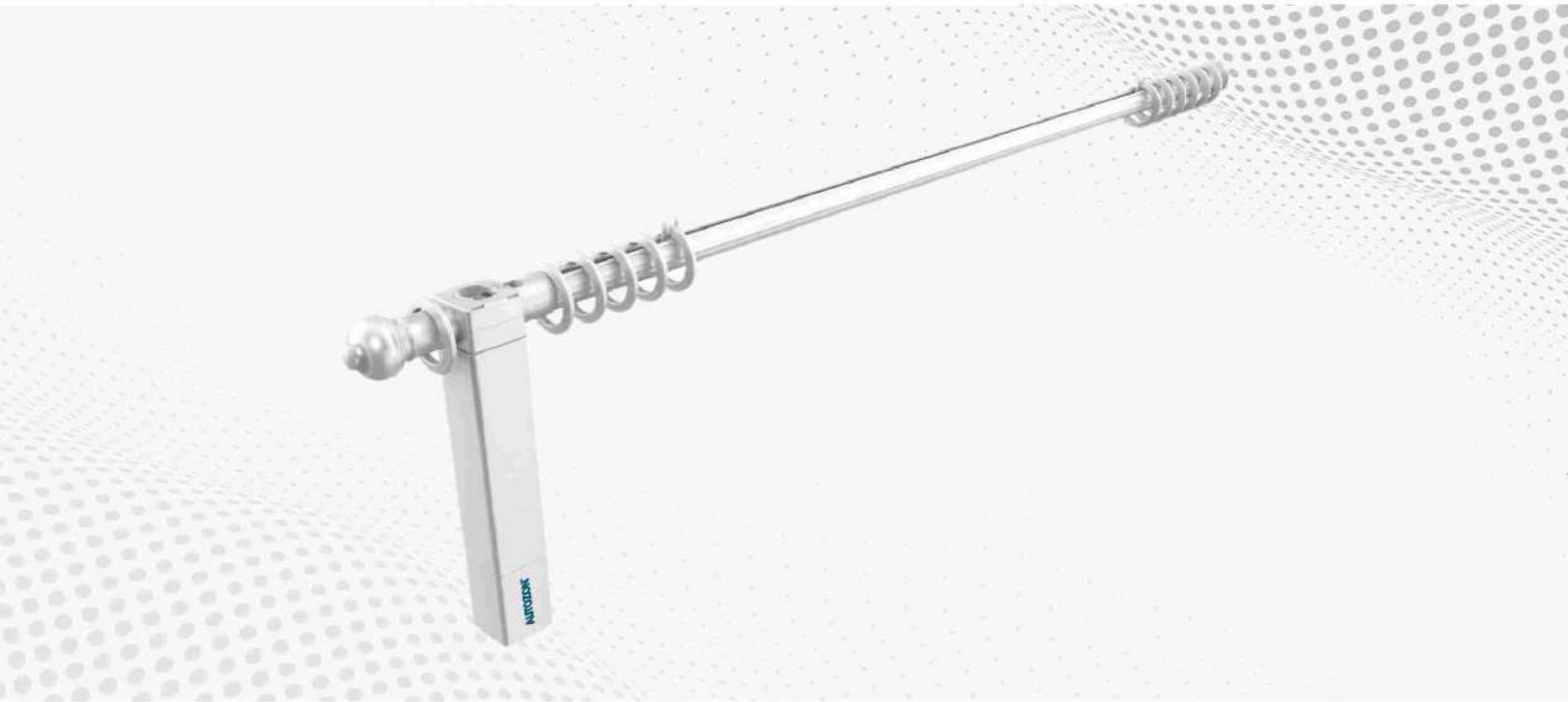
**TRACK SPECIFICATION:**

Model No.	Size	Track Length (mm)	Track Connector (mm)	Adjustable Track					Suitable Size (M) (Wall To Wall)
				Track Length (mm)			Track Connector (mm)		
				500	200	100	200	100	
AZ CO 3.2	3.2 m	2	2	1	2	1	1	1	2.2 m - 3.2 m
AZ CO 5.2	5.2 m	4	4	1	2	1	1	1	4.2 m - 5.2 m
AZ CO 7.2	7.2 m	6	6	1	2	1	1	1	6.2 m - 7.2 m

Note: 500 mm, 200 mm, 100 mm tracks are adjustable track, 200 mm, 100 mm are track connectors | Optional accessories: Side mounting brackets, 90° angle



**ROME POLE CURTAIN OPERATOR**  
AZRPCO3M / AZRPCO5M



**Manual start**

Pull curtain about 10cm by hand, curtain will open and close automatically.

**Manual operation if power cut**

When there is no power , you can open and close by hand easily.

**Middle position set**

Set a middle stop location during open and close position for better lighting.

**Multiple controls**

Remote control, switch and smart remote control used accordingly.

**Automatically set the memory running point**

After power off, the motor will set the running point for opening and closing again when power on.

**Customized Track length**

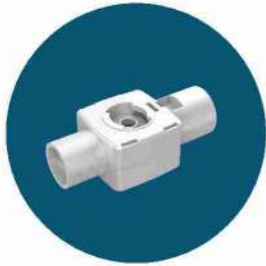
DIY design, get any length needed.



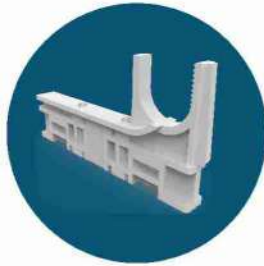
# ROME POLE CURTAIN OPERATOR AZRPCO3M / AZRPCO5M

# AUTOZON®

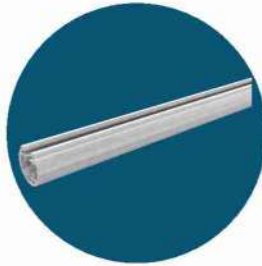
## ROME POLE CURTAIN OPERATOR ACCESSORIES:



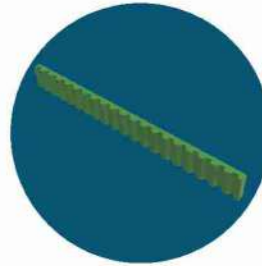
Center opening



Carrier



Track



Belt



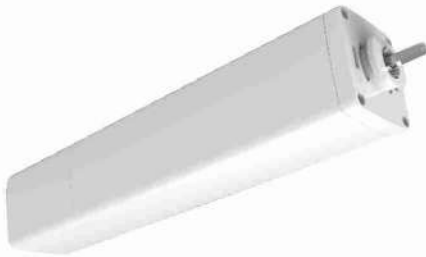
Subsidiary Opening

## TECHNICAL SPECIFICATIONS:



### NORMAL POWER MOTOR - AZ CO 1.2 Nm 5W

- Rated Torque : 1.2 Nm
- Rated Voltage : 220 V - 240 V AC
- Rated Power : 40 W
- Max Load : 50 Kg
- Remote Distance : >50m
- Protection Class : IP 20



### HIGH POWER MOTOR - AZ CO2 Nm 5W

- Rated Torque : 2 Nm
- Rated Voltage : 220 V - 240 V AC
- Rated Power : 80 W
- Max Load : 120 Kg
- Remote Distance : >50m
- Protection Class : IP 20



### TUYA MOTOR - AZ CO TUYA 30

- Rated Torque : 1.2 Nm
- Rated Voltage : 220 V - 240 V AC
- Rated Power : 40 W
- Max Load : 50 Kg
- Remote Distance : >50m
- Protection Class : IP 20



## TRANSMITTER:



AZ COSC29  
SINGLE CHANNEL  
TRANSMITTER



AZ CODC 26  
TWO CHANNEL  
TRANSMITTER



AZ COMC 27  
MULTI CHANNEL  
TRANSMITTER



AZ COWM 28  
WALL MOUNT  
TRANSMITTER

## TRACK SPECIFICATION:

MODEL NO	TRACK SIZE
AZ RP CO 3 M	1500 mm + 1500 mm
AZ RP CO 5M	2500 mm + 2500 mm

## PRODUCT FEATURES:



WIRELESS  
REMOTE



SUPER  
SILENT



SMOOTH  
RUNNING



RADIO  
CONTROL



MANUAL  
OPERATION



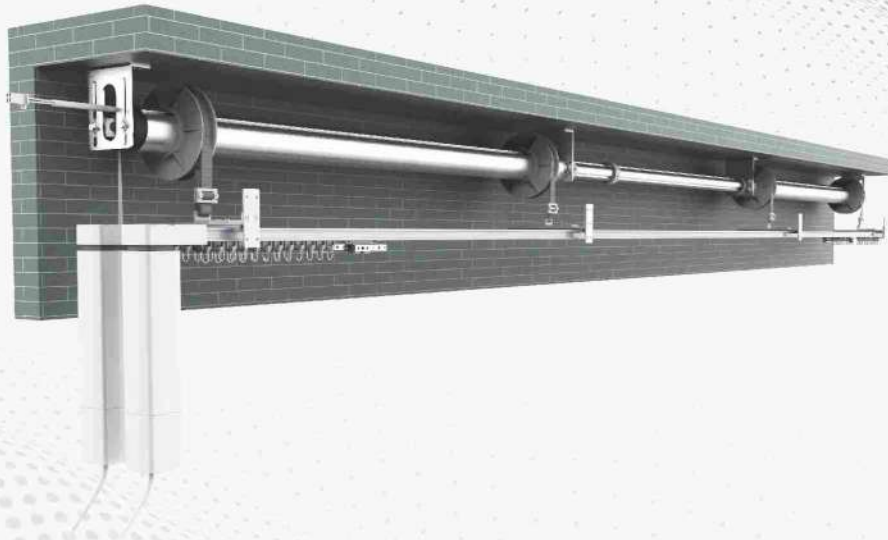
LARGE  
LOAD



ASSEMBLED  
FAST



HIGH  
TECHNOLOGY



**LIFT SYSTEM:**

- o Inducted high quality tubular motor for enhanced power supply
- o Easy to control, stable operation
- o The motor has been patented on clutch
- o The stroke designed to be automatic manually operated and remote operated.
- o Radio receiver can be made inside or outside, can also be connected with other control systems, easy to make smart control

Rise



Descend



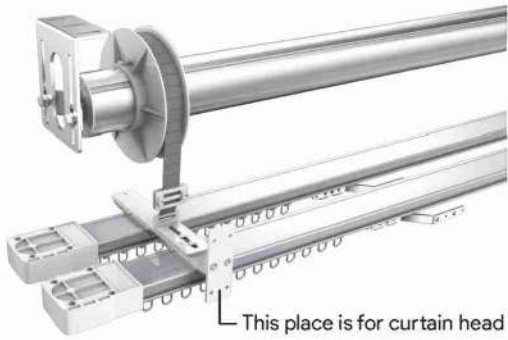
**PRODUCT DESCRIPTION:**

- o With adoption of easy disassembly design, it is easy to assemble and disassemble the motor
- o Used for straight curtain tracks
- o The motor has been patented on clutch, and the stroke designed to be automatic manually operated and remote operated.
- o Radio receiver can be made inside or outside of motor, can also be connected with other control systems, easy to make smart control
- o Minimal noise, minimal vibrate
- o High quality full coating track, moved by belt with stainless steel wires

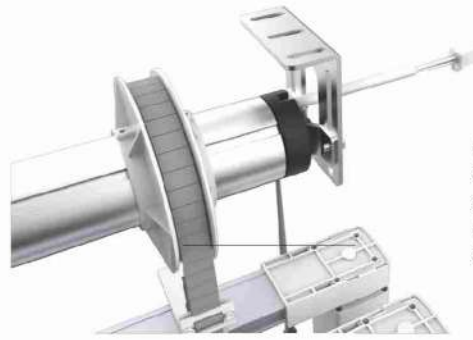


# LIFT CURTAIN OPERATOR AZLCO3M / AZLCO5M

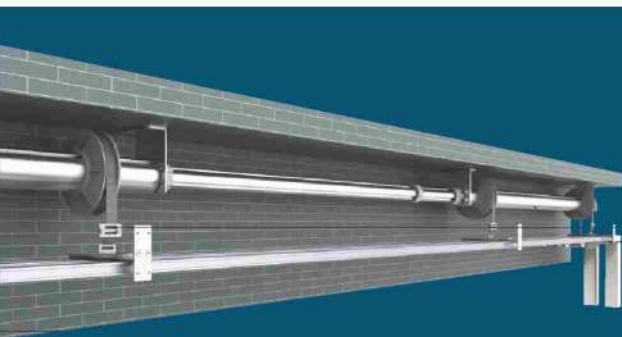
# AUTOZON®



This place is for curtain head



- o Easy to install
- o High strength, strong and durable belt
- o Easy to adjust
- o Terminal for tubular motor
- o Easy to connect wires



## EXAMPLES OF ASSEMBLY LENGTH:

5m set: adjustable extent 3.078m-4.964m



3m set: adjustable extent 2.078m-3.018m



## TRANSMITTER:



AZ COSC29  
SINGLE CHANNEL



AZ CODC 26  
TWO CHANNEL

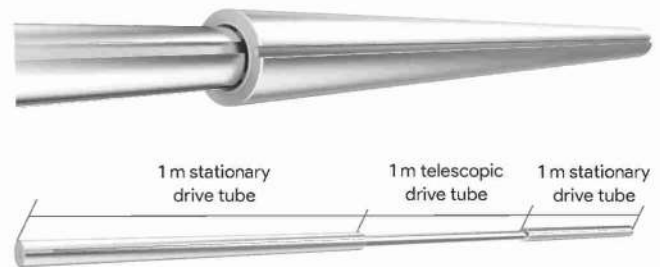


AZ COMC 27  
MULTI CHANNEL



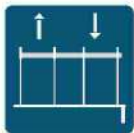
AZ COWM 28  
MULTI CHANNEL

## PATENTED TELESCOPIC STRUCTURE SYSTEM:



- o Standardized assembly scheme
- o Systematic design
- o Adjustable size
- o Easy to assemble

## PRODUCT FEATURES:



ASSEMBLE  
LIFT



WIRELESS  
REMOTE



SUPER  
SILENT



SMOOTH  
RUNNING



RADIO  
CONTROL



MANUAL  
OPERATION



LARGE  
LOAD



ASSEMBLED  
FAST



HIGH  
TECHNOLOGY

## TECHNICAL SPECIFICATION:

Rated Power : 270 W

Rated Torque : 50 Nm

RPM : 12 rpm / min

Rated Voltage : 220 V - 240 V AC

Warranty : 3 Yrs

Protection Level : IP 44

## TECHNICAL SPECIFICATION:

MODEL NO	ASSEMBLY SIZE	TRACK SIZE
AZ LCO 3 M	3 m	2.078 m - 3.018 m
AZ LCO 5M	5m	3.078 m - 4.964 m

# AUTOZON®

## ENTRANCE AUTOMATION

### Our Range of Products:



SLIDING GATE OPERATOR



SWING GATE OPERATOR



SLIDING DOOR OPERATOR



SWING DOOR OPERATOR



CURTAIN OPERATOR



BLINDS OPERATOR



BOOM BARRIER



GARAGE DOOR & OPERATOR



ROLLING SHUTTER & OPERATOR



HIGH SPEED DOOR & OPERATOR



SECTIONAL DOOR & OPERATOR



RETRACTABLE GATE



BOLLARD



DOCK LEVELLER



GATE HARDWARES



ACCESSORIES

### Applications:



RESIDENTIAL



INSTITUTION



PUBLIC PARKING



HOSPITAL



HOTEL



MALL



BUSINESS CENTER



WAREHOUSE



INDUSTRY

### Corporate Office:

#308/1A, Rajeev Gandhi Road  
Ganapathy, Coimbatore - 641 006  
Tamil Nadu, INDIA

### Chennai Branch Office:

No.3/14, 1st Cross Street, 1st Main Road,  
Kalaimagal Nagar, Ekkatuthangal,  
Chennai - 600032, Tamil Nadu, INDIA

### Contact:

T : +91 75980 16000  
M : +91 97872 55518

### Contact:

T : 044 47100570  
M : +91 9994929764



### For more details:

Visit: [www.autozonind.com](http://www.autozonind.com) | Email: [info@autozonind.com](mailto:info@autozonind.com)

### Sales & Service Network

Andhra Pradesh, Arunachal Pradesh, Assam, Bihar, Chhattisgarh, Goa, Gujarat, Haryana, Himachal Pradesh, Jharkhand, Karnataka, Kerala, Madhya Pradesh, Maharashtra, Manipur, Meghalaya, Mizoram, Nagaland, Odisha, Punjab, Rajasthan, Sikkim, Tamil Nadu, Telangana, Tripura, Uttar Pradesh, Uttarakhand, West Bengal



follow us on: [f](#) autozonind [@](#) autozonind [t](#) autozonind [c](#) autozonind